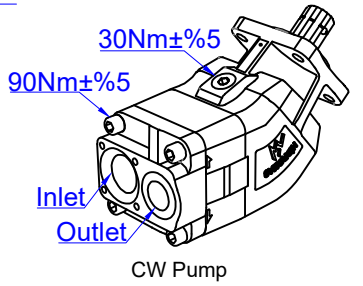
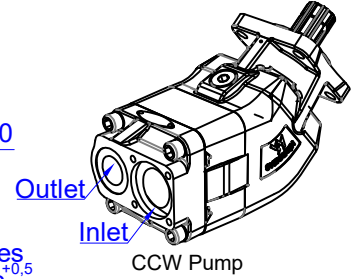
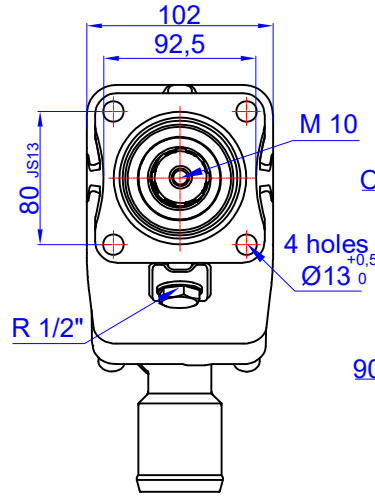
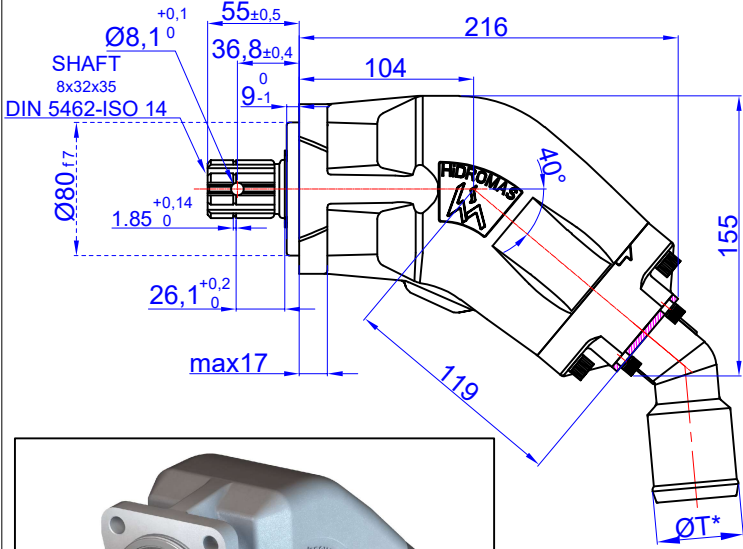


45L BENT AXIS PISTON PUMPS
7 ELEMANLI EKSENEL POMPA 45L SAĞ / SOL

Product Code / Ürün Kodu : PEX752045131
Ref. No: TP-0006 PEX752045132

CW
CCW



Inlet	Outlet
$\varnothing T^*$	3/4" BSPIT

$\varnothing T^*$: Emiş ve basınc rakoru ayrı sipariş verilmelidir.
Suction and pres. adapter must be ordered separately.

TEKNİK BİLGİLER / TECHNICAL DATA

Specifications

Displacement	45	cm ³ /rev
Max. Peak Pressure (P1)	450	bar
Max. Intermittent Pressure (P2)	430	bar
Max. Continuous Pressure (P3)	400	bar
Max. Speed at Intermittent Press.	2500	min ⁻¹
Min. Speed at Intermittent Press.	300	min ⁻¹
Max. Speed at Continuous Press.	2100	min ⁻¹
Oil Temperature Range	-40 ~ 80	°C
Inlet Pressure Range (suction side)	0,85 ~ 2	bar
Recommended Oil Viscosity Range	12 ~ 100	mm ² /s (cSt)
Max. Starting Viscosity	750	mm ² /s (cSt)
Filtration :		
Working Pressure < 200 bar	25	µm
Working Pressure > 200 bar	10	µm
Connection :		
Min. Suction Hose Bore Diameter (\varnothing T)	1 1/2	inch
Weight	8,3	kg
Rust prevent oil applied shaft area	protect 12 moths	

Power and Torque

Pressure (Bar)	50	100	200	300	400
Torque (Nm)	40	80	159	239	318

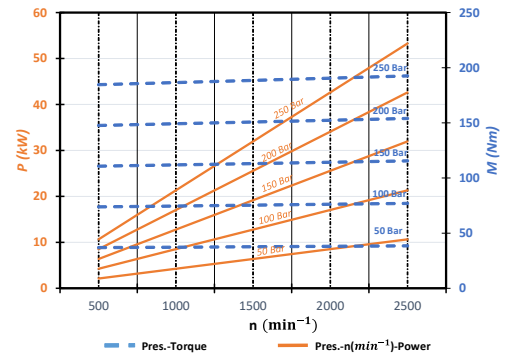
Power (kW)

rpm / Bar	50	100	200	300	400
500	2	4	9	13	17
1000	4	9	17	26	34
1500	6	13	26	38	51
2000	9	17	34	51	68
2500	11	21	43	64	85

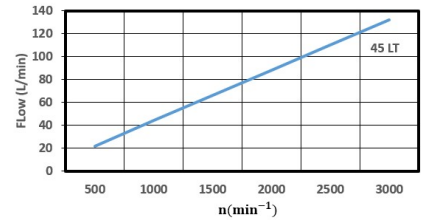
rpm (rev/min)	Flow (L/min)
500	22
1000	44
1500	66
2000	88
2500	110

DİYAGRAMLAR / DIAGRAMS

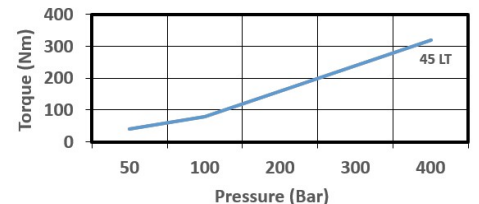
Power-Pressure Graphic



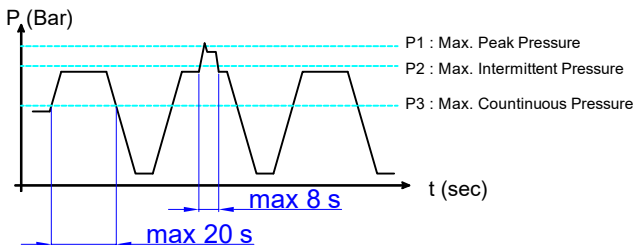
Flow-rpm Graphic



Torque-Pressure Graphic



Pressure Definition



Hydraulic Pump Symbol

