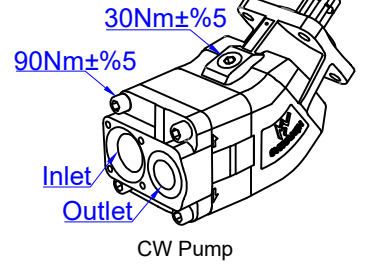
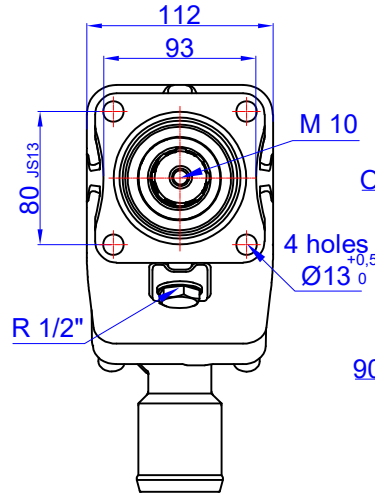
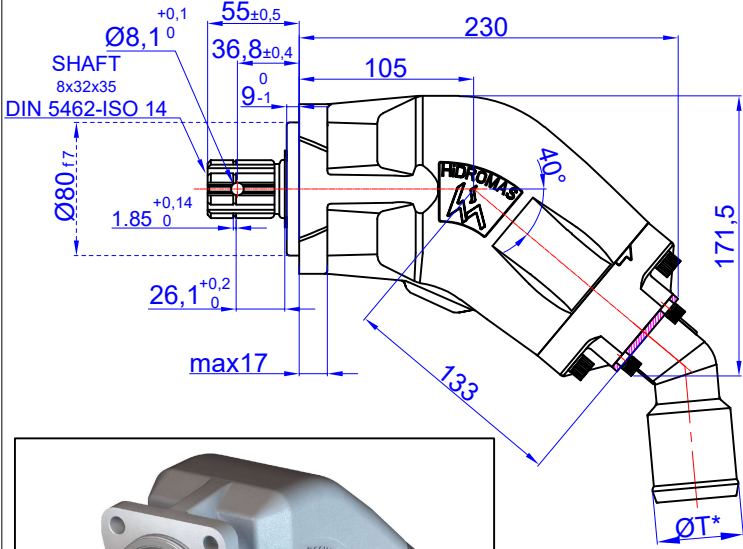


65L BENT AXIS PISTON PUMPS
7 ELEMANLI EKSENEL POMPA 65L SAĞ / SOL

Product Code / Ürün Kodu : PEX752065131
Ref. No: TP-0006 PEX752065132

CW
CCW



Inlet	Outlet
ØT*	3/4" BSPIT

ØT*: Emiş ve basınç rakoru ayrı sipariş verilmelidir.
Suction and pres. adapter must be ordered separately.

TEKNİK BİLGİLER / TECHNICAL DATA

Specifications

Displacement	65	cm ³ /rev
Max. Peak Pressure (P1)	450	bar
Max. Intermittent Pressure (P2)	430	bar
Max. Continuous Pressure (P3)	400	bar
Max. Speed at Intermittent Press.	2400	min ⁻¹
Min. Speed at Intermittent Press.	300	min ⁻¹
Max. Speed at Continuous Press.	2000	min ⁻¹
Oil Temperature Range	-40 ~ 80	°C
Inlet Pressure Range (suction side)	0,85 ~ 2	bar
Recommended Oil Viscosity Range	12 ~ 100	mm ² /s (cSt)
Max. Starting Viscosity	750	mm ² /s (cSt)
Filtration :		
Working Pressure < 200 bar	25	µm
Working Pressure > 200 bar	10	µm
Connection :		
Min. Suction Hose Bore Diameter (ØT)	2	inch
Weight	10,5	kg
Rust prevent oil applied shaft area	protect 12 moths	

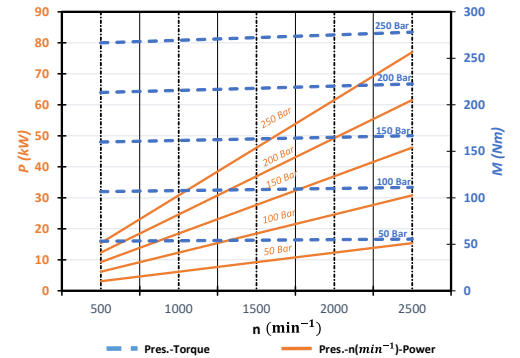
Power and Torque					
Pressure (Bar)	50	100	200	300	400
Torque (Nm)	57	115	230	345	460

Power (kW)					
rpm / Bar	50	100	200	300	400
500	3	6	12	18	25
1000	6	12	25	37	49
1500	9	18	37	55	74
2000	12	25	49	74	98
2500	15	31	62	92	123

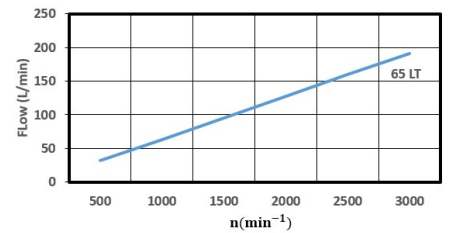
rpm (rev/min)	Flow (L/min)
500	32
1000	64
1500	96
2000	127
2500	159

DİYAGRAMLAR / DIAGRAMS

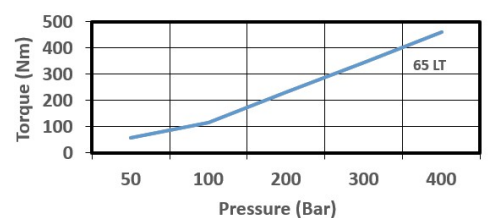
Power-Pressure Graphic



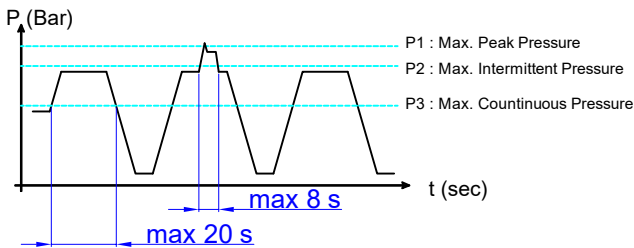
Flow-rpm Graphic



Torque-Pressure Graphic



Pressure Definition



Hydraulic Pump Symbol

