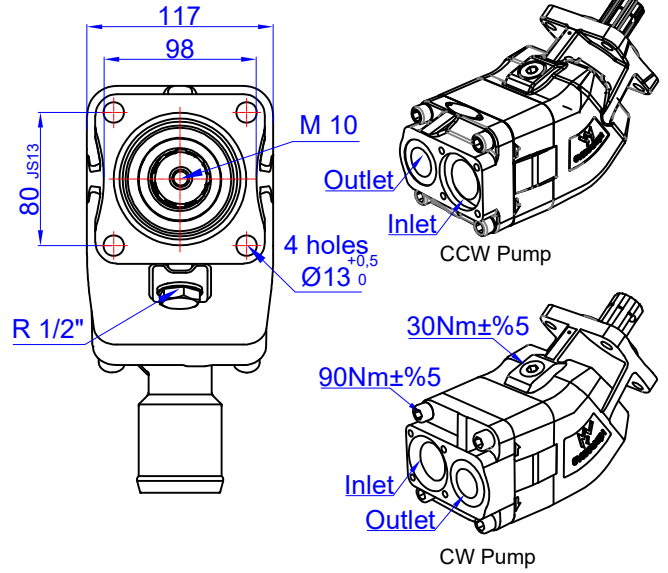
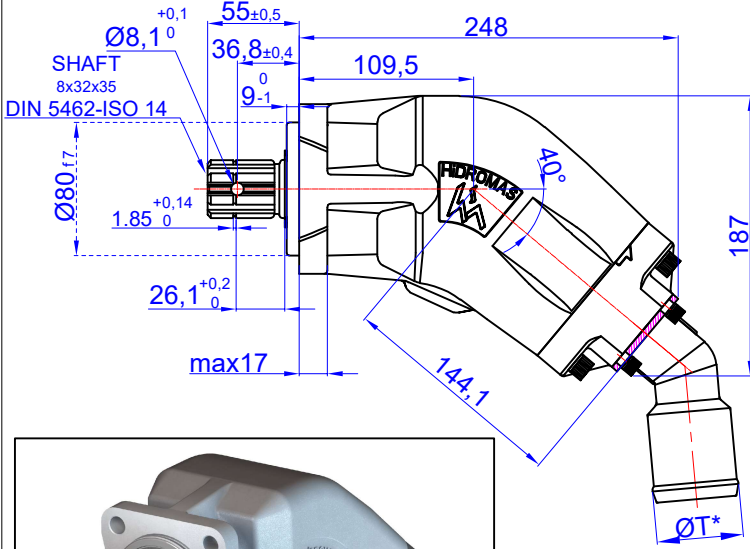


85L BENT AXIS PISTON PUMPS  
7 ELEMANLI EKSENEL POMPA 85L SAĞ / SOL

Product Code / Ürün Kodu : PEX752085131  
Ref. No: TP-0005 PEX752085132

CW  
CCW



Inlet	Outlet
ØT*	1" BSPIT

ØT\*: Emiş ve basınç rakoru ayrı sipariş verilmelidir.  
Suction and pres. adapter must be ordered separately.

### TEKNİK BİLGİLER / TECHNICAL DATA

#### Specifications

Displacement	85	cm <sup>3</sup> /rev
Max. Peak Pressure (P1)	430	bar
Max. Intermittent Pressure (P2)	400	bar
Max. Continuous Pressure (P3)	375	bar
Max. Speed at Intermittent Press.	2200	min <sup>-1</sup>
Min. Speed at Intermittent Press.	300	min <sup>-1</sup>
Max. Speed at Continuous Press.	1800	min <sup>-1</sup>
Oil Temperature Range	-40 ~ 80	°C
Inlet Pressure Range (suction side)	0,85 ~ 2	bar
Recommended Oil Viscosity Range	12 ~ 100	mm <sup>2</sup> /s (cSt)
Max. Starting Viscosity	750	mm <sup>2</sup> /s (cSt)
<b>Filtration :</b>		
Working Pressure < 200 bar	25	µm
Working Pressure > 200 bar	10	µm
<b>Connection :</b>		
Min. Suction Hose Bore Diameter (ØT)	2	inch
Weight	13,5	kg
Rust prevent oil applied shaft area	protect 12 moths	

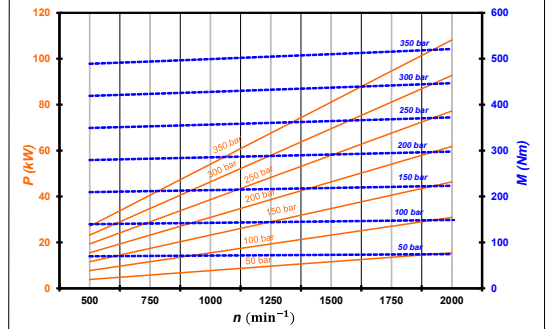
Power and Torque					
Pressure (Bar)	50	100	200	300	400
Torque (Nm)	75	150	301	451	601

Power (kW)					
rpm / Bar	50	100	200	300	400
500	4	8	16	24	32
1000	8	16	32	48	64
1500	12	24	48	72	97
2000	16	32	64	97	129
2500	20	40	80	121	161
3000	24	48	97	145	193

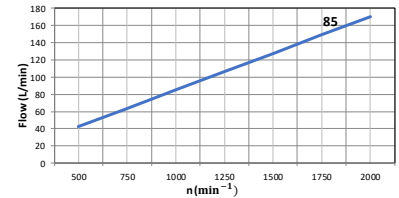
rpm (rev/min)	Flow (L/min)
500	42
1000	83
1500	125
2000	167
2500	208
3000	250

### DİYAGRAMLAR / DIAGRAMS

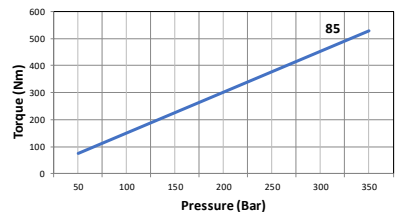
#### Power-Pressure Graphic



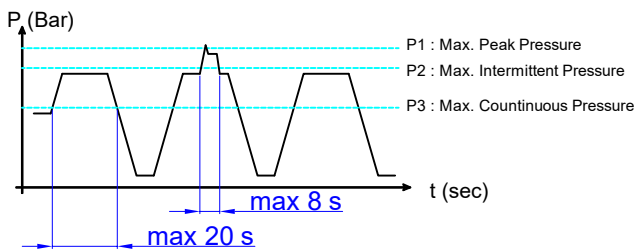
#### Flow-rpm Graphic



#### Torque-Pressure Graphic



#### Pressure Definition



#### Hydraulic Pump Symbol

