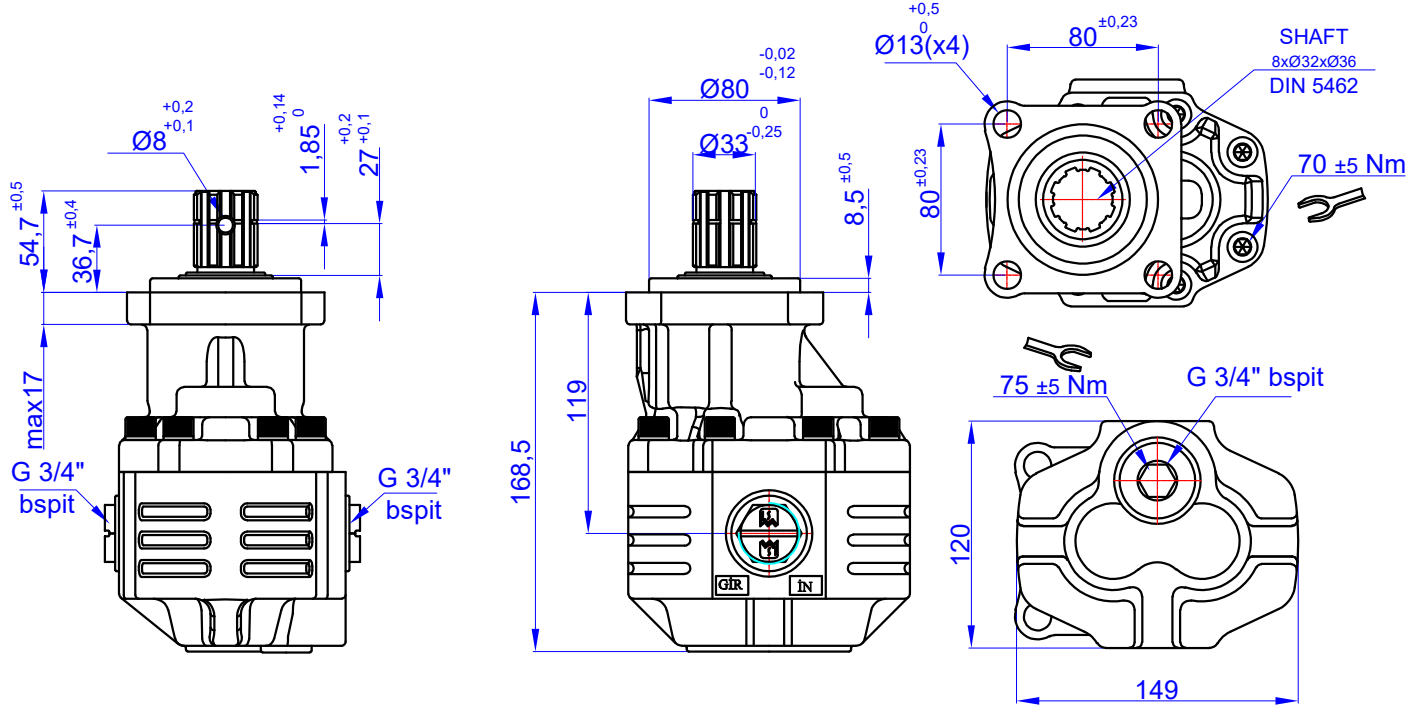


27 cc GEAR PUMP-ISO  
DPA 30-27 DIŞLI POMPA SAĞ / SOL

Product Code / Ürün Kodu : PDTD300270131  
Ref. No : 0002 PDTD300270132

CW  
CCW



## TEKNİK BİLGİLER / TECHNICAL DATA

### Specifications

Displacement	27	cm <sup>3</sup> /rev
Max. Peak Pressure (P3)	325	bar
Max. Intermittent Pressure (P2) (for tipping applications)	315	bar
Max. Continuous Pressure (P1)	290	bar
Max. Speed at Intermittent Press.	3000	min <sup>-1</sup>
Min. Speed at Intermittent Press.	300	min <sup>-1</sup>
Max. Speed at Continuous Press.	2500	min <sup>-1</sup>
Oil Temperature Range	-40 ~ 80	°C
Inlet Pressure Range (suction side)	0,7 ~ 3	bar
Recommended Oil Viscosity Range	12 ~ 100	mm <sup>2</sup> /s (cSt)
Max. Starting Viscosity	750	mm <sup>2</sup> /s (cSt)
<b>Filtration :</b>		
-Working Pressure < 200 bar	25	µm
-Working Pressure > 200 bar	10	µm
<b>Connection :</b>		
Min. Suction Hose Bore Diameter	-	inch
Weight	11,5	kg
Rust prevent oil applied shaft area		protect 12 moths

### Power and Torque

Pressure (Bar)	50	100	200	300	325
Torque (Nm)	24	48	95	143	155

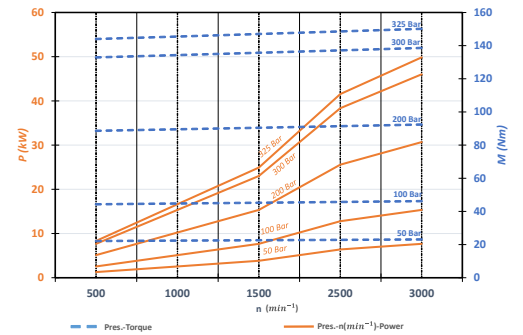
### Power (kW)

rpm / Bar	50	100	200	300	325
500	1	3	5	8	8
1000	3	5	10	15	17
1500	4	8	15	23	25
2500	6	13	26	38	42
3000	8	15	31	46	50

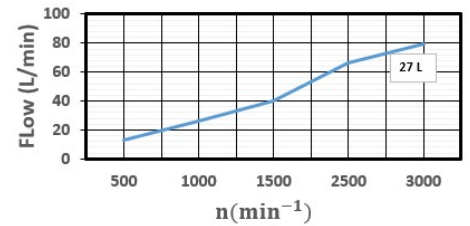
rpm (n/min)	Flow (L/min)
500	13
1000	26
1500	40
2500	66
3000	79

## DIYAGRAMLAR / DIAGRAMS

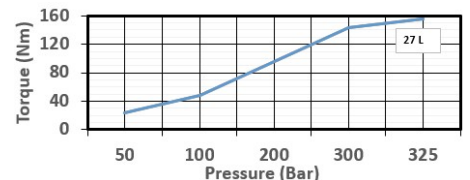
### Power-Pressure Graphic



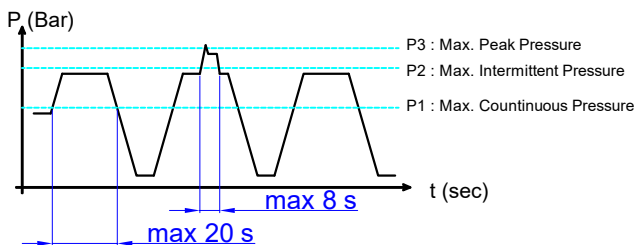
### Flow-rpm Graphic



### Torque-Pressure Graphic



### Pressure Definition



### Hydraulic Pump Symbol

