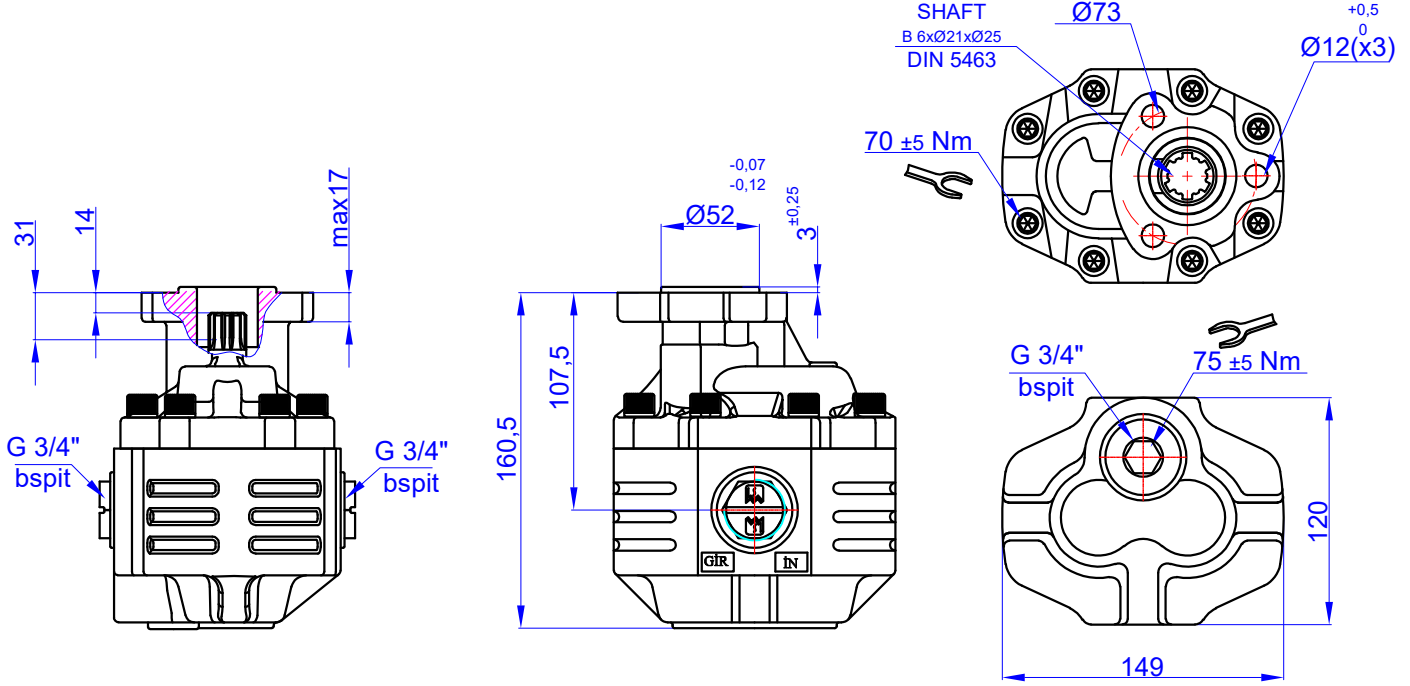


34 cc GEAR PUMP-UNI  
DP 30-34 DIŞLI POMPA SAĞ / SOL

Product Code / Ürün Kodu : PDTD300340011  
Ref. No : 0001 PDTD300340012

CW  
CCW



## TEKNİK BİLGİLER / TECHNICAL DATA

Specifications		
Displacement	34	cm <sup>3</sup> /rev
Max. Peak Pressure (P3)	310	bar
Max. Intermittent Pressure (P2) (for tipping applications)	300	bar
Max. Continuous Pressure (P1)	280	bar
Max. Speed at Intermittent Press.	2800	min <sup>-1</sup>
Min. Speed at Intermittent Press.	300	min <sup>-1</sup>
Max. Speed at Continuous Press.	2200	min <sup>-1</sup>
Oil Temperature Range	-40 ~ 80	°C
Inlet Pressure Range (suction side)	0,7 ~ 3	bar
Recommended Oil Viscosity Range	12 ~ 100	mm <sup>2</sup> /s (cSt)
Max. Starting Viscosity	750	mm <sup>2</sup> /s (cSt)
<b>Filtration :</b>		
-Working Pressure < 200 bar	25	µm
-Working Pressure > 200 bar	10	µm
<b>Connection :</b>		
Min. Suction Hose Bore Diameter	-	inch
Weight	9,5	kg
Rust prevent oil applied shaft area		protect 12 months

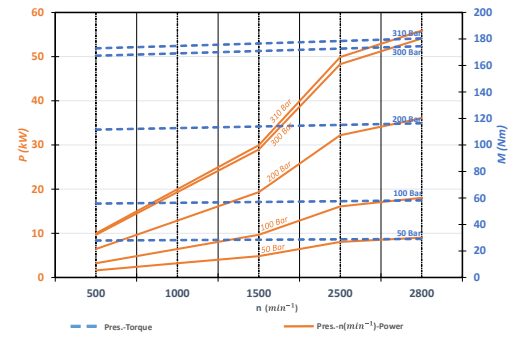
Power and Torque					
Pressure (Bar)	50	100	200	300	310
Torque (Nm)	30	60	120	180	186

Power (kW)					
rpm / Bar	50	100	200	300	310
500	2	3	6	10	10
1000	3	6	13	19	20
1500	5	10	19	29	30
2500	8	16	32	48	50
2800	9	18	36	54	56

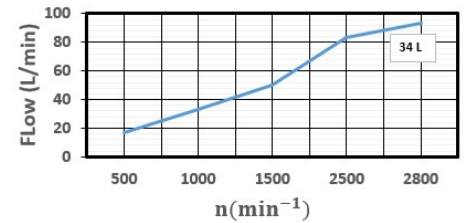
rpm (n/min)	Flow (L/min)
500	17
1000	33
1500	50
2500	83
2800	93

## DIYAGRAMLAR / DIAGRAMS

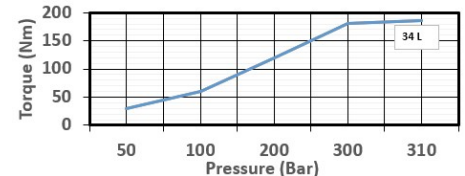
### Power-Pressure Graphic



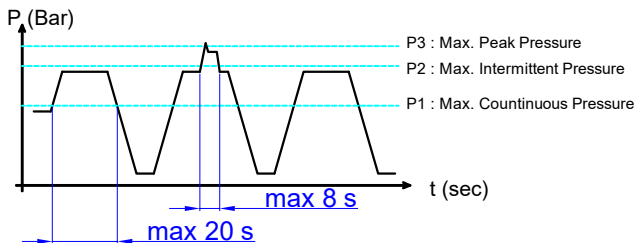
### Flow-rpm Graphic



### Torque-Pressure Graphic



### Pressure Definition



### Hydraulic Pump Symbol

