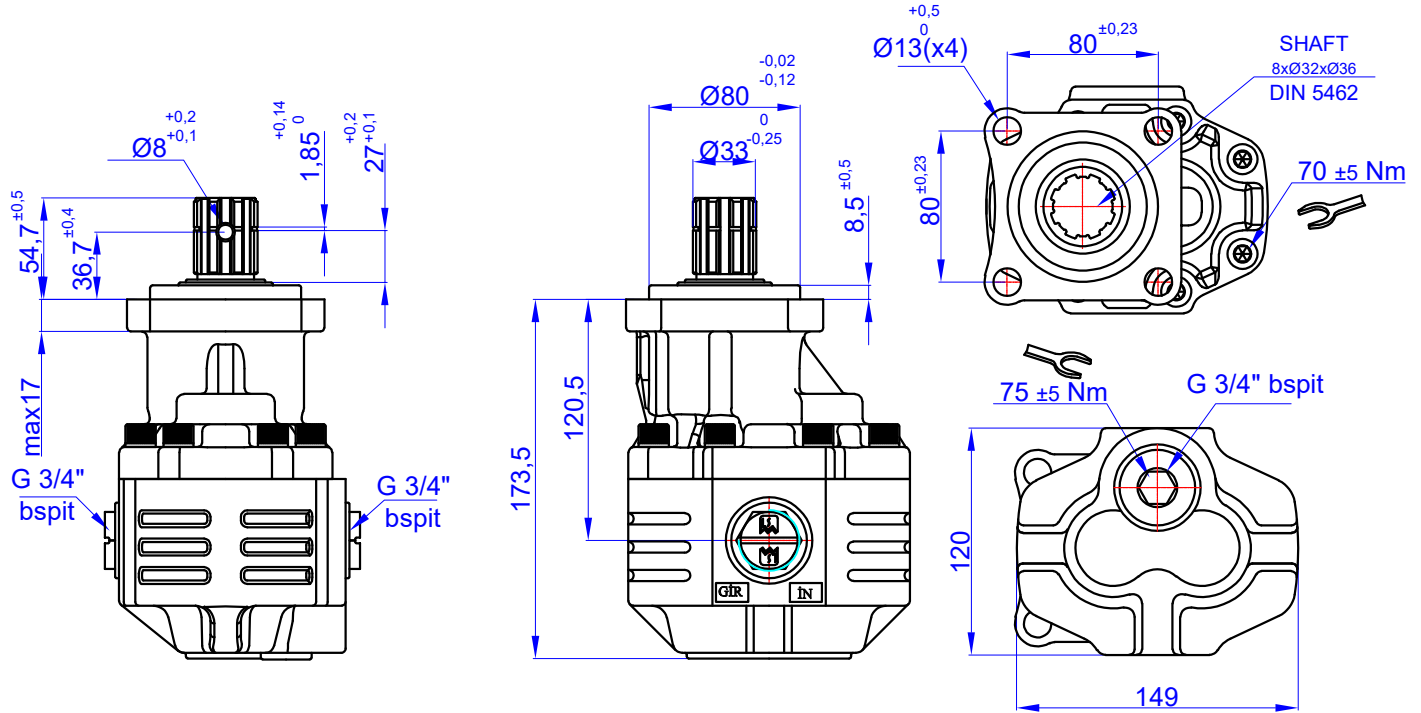


34 cc GEAR PUMP-ISO
DPA 30-34 DIŞLI POMPA SAĞ / SOL

Product Code / Ürün Kodu : PDTD300340131
Ref. No : 0002 PDTD300340132

CW
CCW



TEKNİK BİLGİLER / TECHNICAL DATA

Specifications		
Displacement	34	cm ³ /rev
Max. Peak Pressure (P3)	310	bar
Max. Intermittent Pressure (P2) (for tipping applications)	300	bar
Max. Continuous Pressure (P1)	280	bar
Max. Speed at Intermittent Press.	2800	min ⁻¹
Min. Speed at Intermittent Press.	300	min ⁻¹
Max. Speed at Continuous Press.	2200	min ⁻¹
Oil Temperature Range	-40 ~ 80	°C
Inlet Pressure Range (suction side)	0,7 ~ 3	bar
Recommended Oil Viscosity Range	12 ~ 100	mm ² /s (cSt)
Max. Starting Viscosity	750	mm ² /s (cSt)
Filtration :		
-Working Pressure < 200 bar	25	µm
-Working Pressure > 200 bar	10	µm
Connection :		
Min. Suction Hose Bore Diameter	-	inch
Weight	11,5	kg
Rust prevent oil applied shaft area	protect 12 moths	

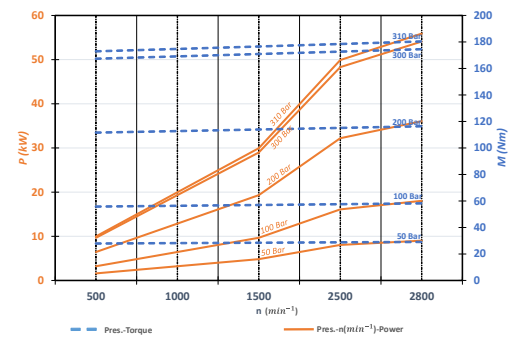
Power and Torque					
Pressure (Bar)	50	100	200	300	310
Torque (Nm)	30	60	120	180	186

Power (kW)						
rpm / Bar	50	100	200	300	310	
500	2	3	6	10	10	
1000	3	6	13	19	20	
1500	5	10	19	29	30	
2500	8	16	32	48	50	
2800	9	18	36	54	56	

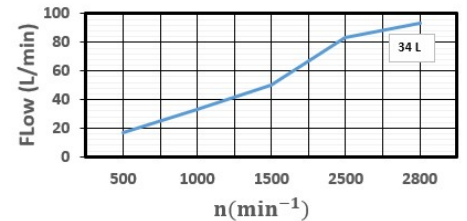
rpm (n/min)	Flow (L/min)
500	17
1000	33
1500	50
2500	83
2800	93

DIYAGRAMLAR / DIAGRAMS

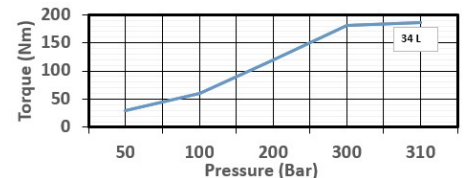
Power-Pressure Graphic



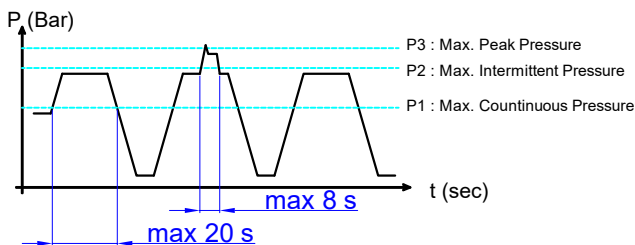
Flow-rpm Graphic



Torque-Pressure Graphic



Pressure Definition



Hydraulic Pump Symbol

