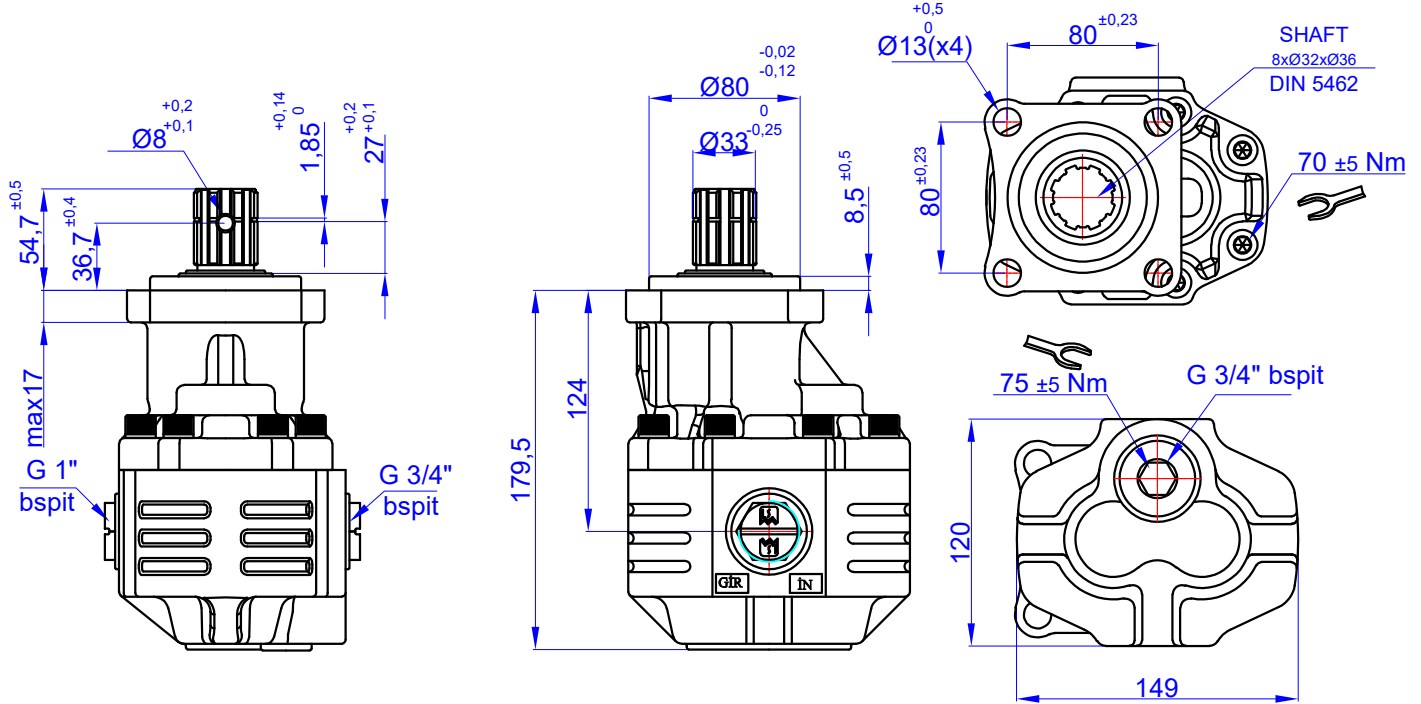


43 cc GEAR PUMP-ISO  
DPA 30-43 DIŞLI POMPA SAĞ / SOL

Product Code / Ürün Kodu : PDTD300430131  
Ref. No : 0002 PDTD300430132

CW  
CCW



## TEKNIK BİLGİLER / TECHNICAL DATA

### Specifications

Displacement	43	cm <sup>3</sup> /rev
Max. Peak Pressure (P3)	300	bar
Max. Intermittent Pressure (P2) (for tipping applications)	290	bar
Max. Continuous Pressure (P1)	270	bar
Max. Speed at Intermittent Press.	2500	min <sup>-1</sup>
Min. Speed at Intermittent Press.	300	min <sup>-1</sup>
Max. Speed at Continuous Press.	2000	min <sup>-1</sup>
Oil Temperature Range	-40 ~ 80	°C
Inlet Pressure Range (suction side)	0,7 ~ 3	bar
Recommended Oil Viscosity Range	12 ~ 100	mm <sup>2</sup> /s (cSt)
Max. Starting Viscosity	750	mm <sup>2</sup> /s (cSt)
<b>Filtration :</b>		
-Working Pressure < 200 bar	25	µm
-Working Pressure > 200 bar	10	µm
<b>Connection :</b>		
Min. Suction Hose Bore Diameter	-	inch
Weight	12,5	kg
Rust prevent oil applied shaft area		protect 12 months

### Power and Torque

Pressure (Bar)	50	100	200	250	300
Torque (Nm)	38	76	152	190	228

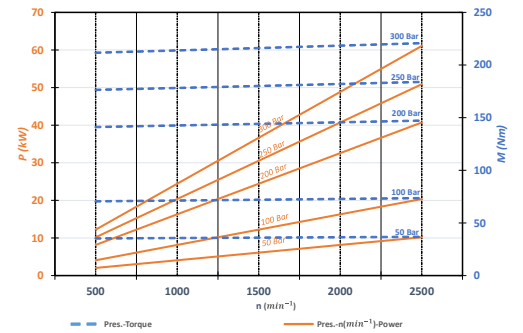
### Power (kW)

rpm / Bar	50	100	200	250	300
500	2	4	8	10	12
1000	4	8	16	20	24
1500	6	12	24	31	37
2000	8	16	33	41	49
2500	10	20	41	51	61

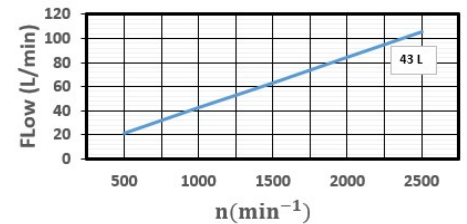
rpm (n/min)	Flow (L/min)
500	21
1000	42
1500	63
2000	84
2500	105

## DIYAGRAMLAR / DIAGRAMS

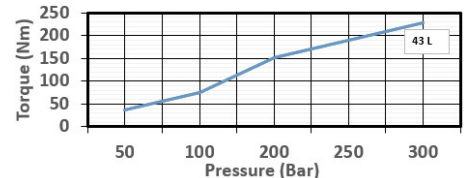
### Power-Pressure Graphic



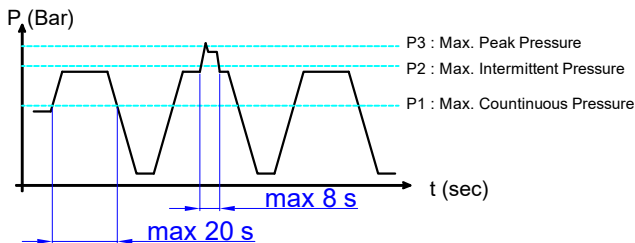
### Flow-rpm Graphic



### Torque-Pressure Graphic



### Pressure Definition



### Hydraulic Pump Symbol

