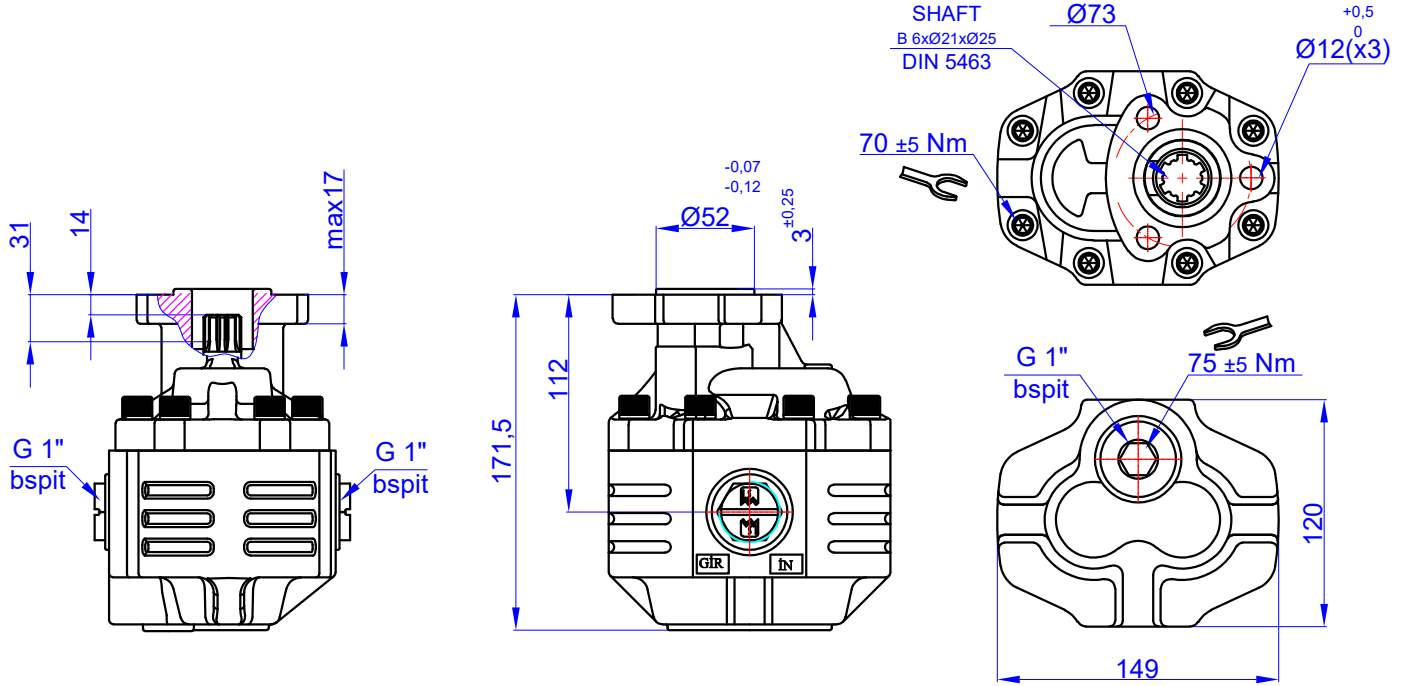


51 cc GEAR PUMP-UNI  
DP 30-51 DIŞLI POMPA SAĞ / SOL

Product Code / Ürün Kodu : PDTD300510011  
Ref. No : 0001 PDTD300510012

CW  
CCW



## TEKNİK BİLGİLER / TECHNICAL DATA

### Specifications

Displacement	51	cm <sup>3</sup> /rev
Max. Peak Pressure (P3)	250	bar
Max. Intermittent Pressure (P2) (for tipping applications)	240	bar
Max. Continuous Pressure (P1)	220	bar
Max. Speed at Intermittent Press.	2000	min <sup>-1</sup>
Min. Speed at Intermittent Press.	300	min <sup>-1</sup>
Max. Speed at Continuous Press.	1700	min <sup>-1</sup>
Oil Temperature Range	-40 ~ 80	°C
Inlet Pressure Range (suction side)	0,7 ~ 3	bar
Recommended Oil Viscosity Range	12 ~ 100	mm <sup>2</sup> /s (cSt)
Max. Starting Viscosity	750	mm <sup>2</sup> /s (cSt)
<b>Filtration :</b>		
-Working Pressure < 200 bar	25	µm
-Working Pressure > 200 bar	10	µm
<b>Connection :</b>		
Min. Suction Hose Bore Diameter	--	inch
Weight	10,5	kg
Rust prevent oil applied shaft area		protect 12 months

### Power and Torque

Pressure (Bar)	50	100	150	200	250
Torque (Nm)	45	90	135	180	225

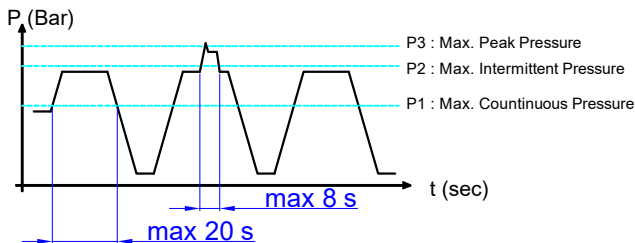
### Power (kW)

rpm / Bar	50	100	150	200	250
500	2	5	7	10	12
1000	5	10	14	19	24
1500	7	14	22	29	36
1700	8	16	25	33	41
2000	10	19	29	39	48

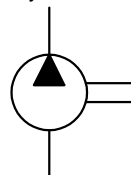
### rpm (n/min) Flow (L/min)

rpm (n/min)	Flow (L/min)
500	25
1000	50
1500	75
1700	85
2000	100

### Pressure Definition

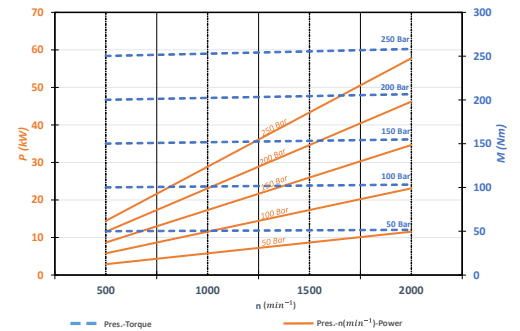


### Hydraulic Pump Symbol

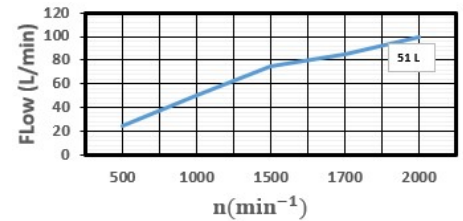


## DIYAGRAMLAR / DIAGRAMS

### Power-Pressure Graphic



### Flow-rpm Graphic



### Torque-Pressure Graphic

