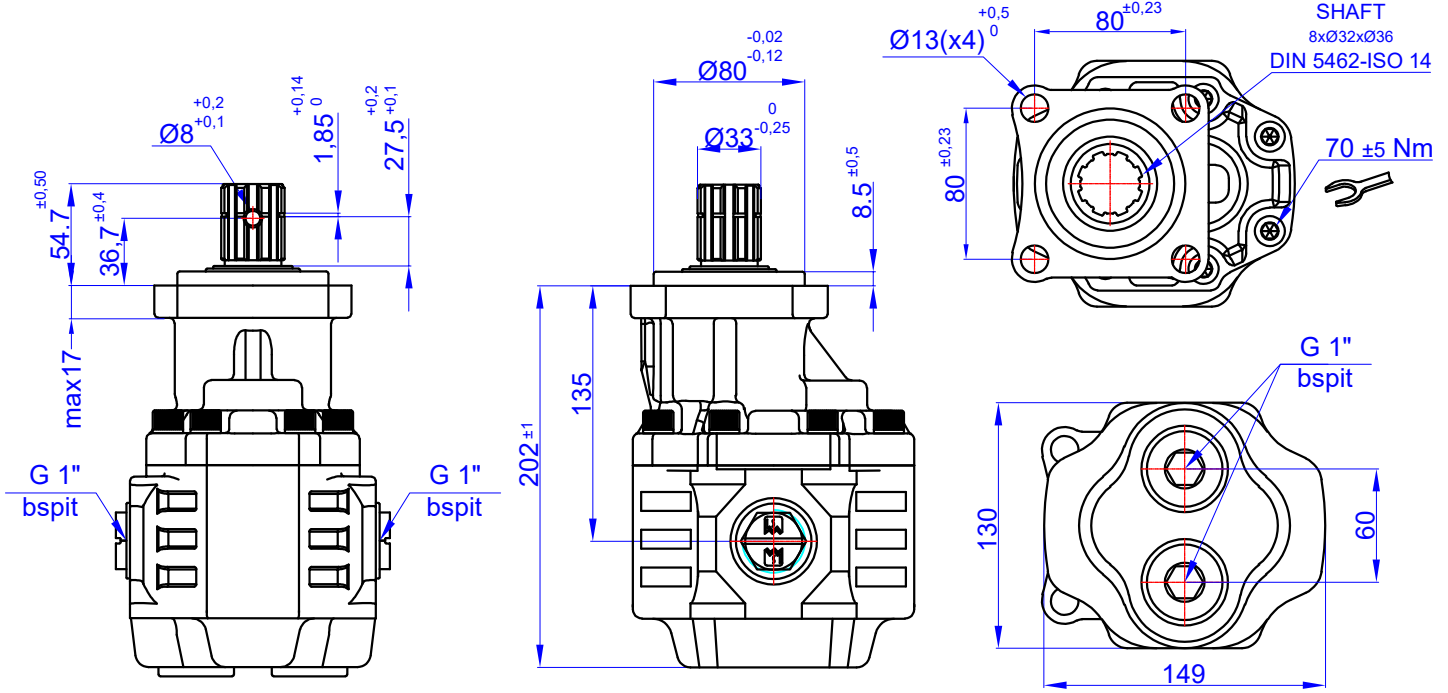


82 cc BI-ROTATIONAL GEAR PUMP 4P-ISO
DPA 30-82 ÇİFT DÖNÜŞLÜ 4 PORTLU DİŞLİ POMPA

Product Code / Ürün Kodu : PDCD3008200133
Ref. No : 0004



TEKNİK BİLGİLER / TECHNICAL DATA

Specifications

Displacement	82	cm ³ /rev
Max. Peak Pressure (P3)	220	bar
Max. Intermittent Pressure (P2) (for tipping applications)	210	bar
Max. Continuous Pressure (P1)	180	bar
Max. Speed at Intermittent Press.	1800	min ⁻¹
Min. Speed at Intermittent Press.	300	min ⁻¹
Max. Speed at Continuous Press.	1500	min ⁻¹
Oil Temperature Range	-40 ~ 80	°C
Inlet Pressure Range (suction side)	0,7 ~ 3	bar
Recommended Oil Viscosity Range	12 ~ 100	mm ² /s (cSt)
Max. Starting Viscosity	750	mm ² /s (cSt)
Filtration :		
-Working Pressure < 200 bar	25	µm
-Working Pressure > 200 bar	10	µm
Connection :		
Min. Suction Hose Bore Diameter	--	inch
Weight	15.5	kg
Rust prevent oil applied shaft area	protect 12 moths	

Power and Torque

Pressure (Bar)	50	100	150	200	220
Torque (Nm)	73	145	218	290	319

Power (kW)

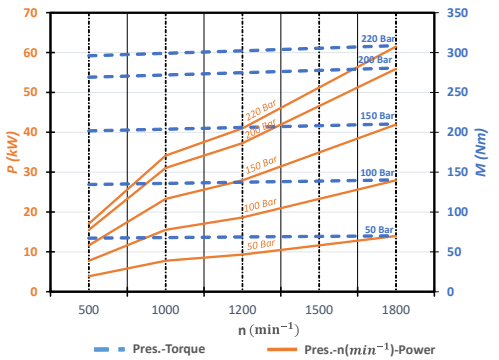
rpm / Bar	50	100	150	200	220
500	4	8	12	16	17
1000	8	16	23	31	34
1200	9	19	28	37	41
1500	12	23	35	47	51
1800	14	28	42	56	62

rpm (n/min) Flow (L/min)

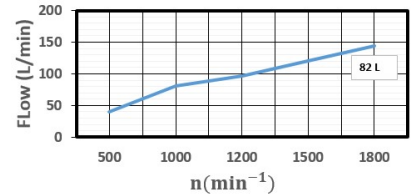
rpm (n/min)	500	1000	1200	1500	1800
Flow (L/min)	40	80	96	121	145

DİYAGRAMLAR / DIAGRAMS

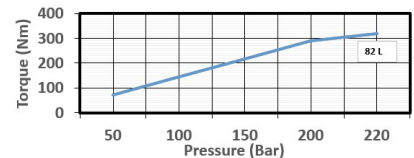
Power-Pressure Graphic



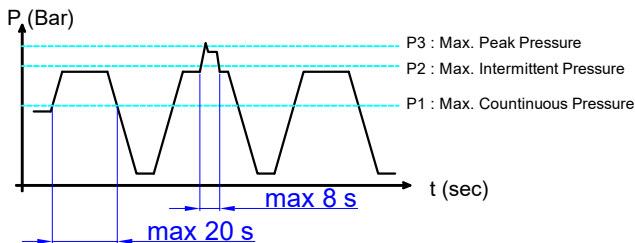
Flow-rpm Graphic



Torque-Pressure Graphic



Pressure Definition



Hydraulic Pump Symbol

