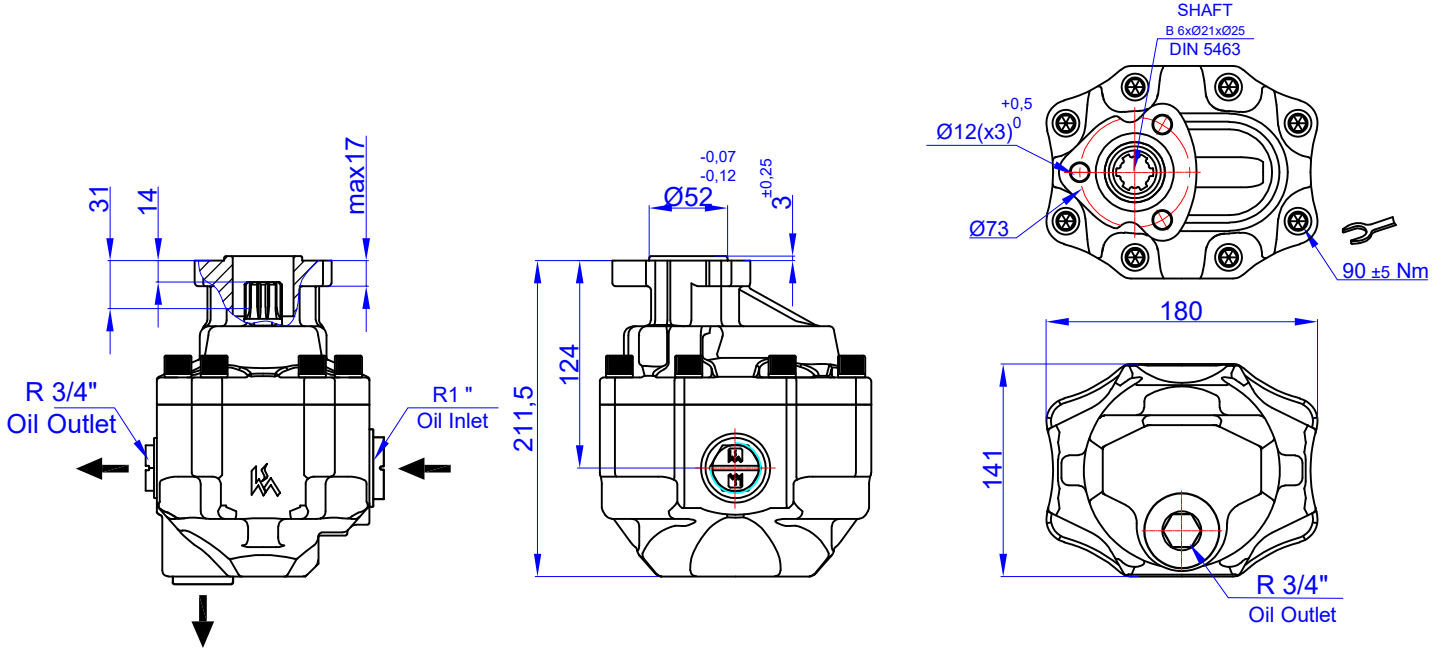


63 cc GEAR PUMP-UNI
DP 40-63 DİŞLİ POMPA SAĞ / SOL

Product Code / Ürün Kodu : PDTD400630011
Ref. No:0001 PDTD400630012

CW
CCW



TEKNİK BİLGİLER / TECHNICAL DATA

Specifications		
Displacement	63	cm ³ /rev
Max. Peak Pressure (P3)	285	bar
Max. Intermittent Pressure (P2) (for tipping applications)	270	bar
Max. Continuous Pressure (P1)	240	bar
Max. Speed at Intermittent Press.	2200	min ⁻¹
Min. Speed at Intermittent Press.	300	min ⁻¹
Max. Speed at Continuous Press.	1700	min ⁻¹
Oil Temperature Range	-40 ~ 80	°C
Inlet Pressure Range (suction side)	0,7 ~ 3	bar
Recommended Oil Viscosity Range	12 ~ 100	mm ² /s (cSt)
Max. Starting Viscosity	750	mm ² /s (cSt)
Filtration :		
-Working Pressure < 200 bar	25	µm
-Working Pressure > 200 bar	10	µm
Connection :		
Min. Suction Hose Bore Diameter	--	inch
Weight	17	kg
Rust prevent oil applied shaft area	protect 12 moths	

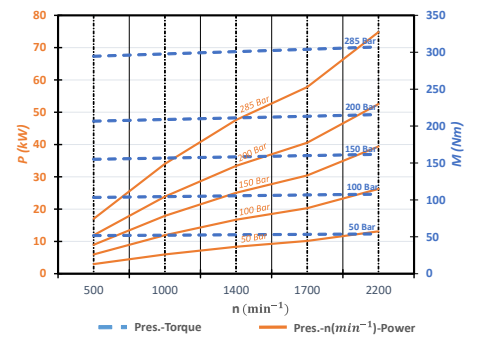
Power and Torque					
Pressure (Bar)	50	100	150	200	285
Torque (Nm)	56	111	167	223	318

Power (kW)					
rpm / Bar	50	100	150	200	285
500	3	6	9	12	17
1000	6	12	18	24	34
1400	8	17	25	33	48
1700	10	20	30	41	58
2200	13	26	39	53	75

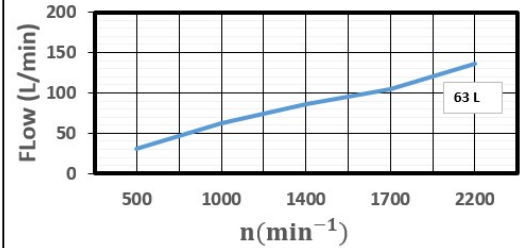
rpm (n/min)	Flow (L/min)
500	31
1000	62
1400	86
1700	105
2200	136

DİYAGRAMLAR / DIAGRAMS

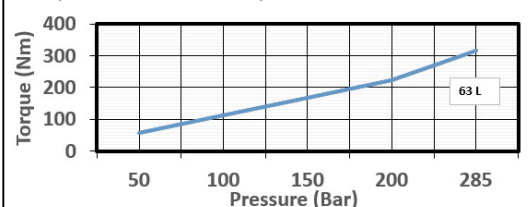
Power-Pressure Graphic



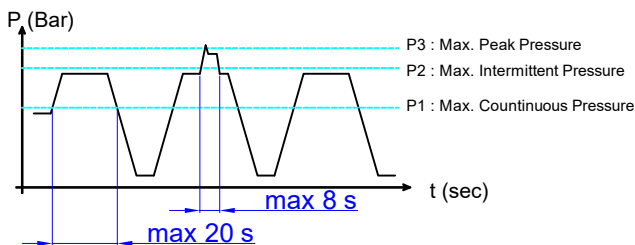
Flow-rpm Graphic



Torque-Pressure Graphic



Pressure Definition



Hydraulic Pump Symbol

