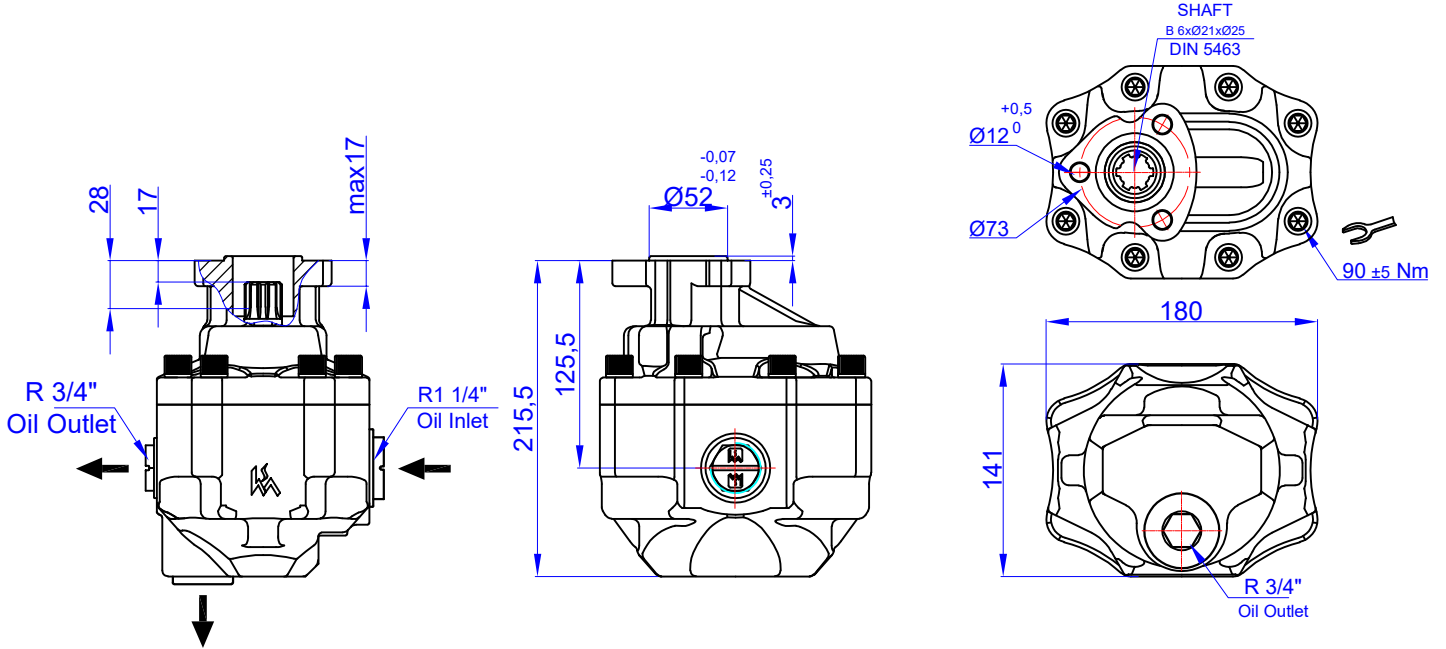


73 cc GEAR PUMP-UNI
DP 40-73 DİŞLİ POMPA SAĞ / SOL

Product Code / Ürün Kodu : PDTD400730011
Ref. No:0001 PDTD400730012

CW
CCW



TEKNİK BİLGİLER / TECHNICAL DATA

Specifications

Displacement	73	cm ³ /rev
Max. Peak Pressure (P3)	275	bar
Max. Intermittent Pressure (P2) (for tipping applications)	260	bar
Max. Continuous Pressure (P1)	240	bar
Max. Speed at Intermittent Press.	2200	min ⁻¹
Min. Speed at Intermittent Press.	300	min ⁻¹
Max. Speed at Continuous Press.	1700	min ⁻¹
Oil Temperature Range	-40 ~ 80	°C
Inlet Pressure Range (suction side)	0,7 ~ 3	bar
Recommended Oil Viscosity Range	12 ~ 100	mm ² /s (cSt)
Max. Starting Viscosity	750	mm ² /s (cSt)
Filtration :		
-Working Pressure < 200 bar	25	µm
-Working Pressure > 200 bar	10	µm
Connection :		
Min. Suction Hose Bore Diameter	--	inch
Weight	17,5	kg
Rust prevent oil applied shaft area	protect 12 moths	

Power and Torque

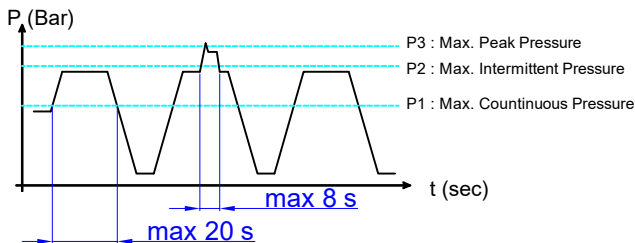
Pressure (Bar)	50	100	150	200	275
Torque (Nm)	65	129	194	258	355

Power (kW)

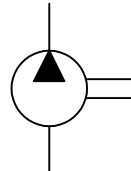
rpm / Bar	50	100	150	200	275
500	3	7	10	14	19
1000	7	14	21	28	38
1400	10	19	29	39	53
1700	12	24	35	47	65
2200	15	30	46	61	84

rpm (n/min)	Flow (L/min)
500	36
1000	72
1400	100
1700	122
2200	157

Pressure Definition

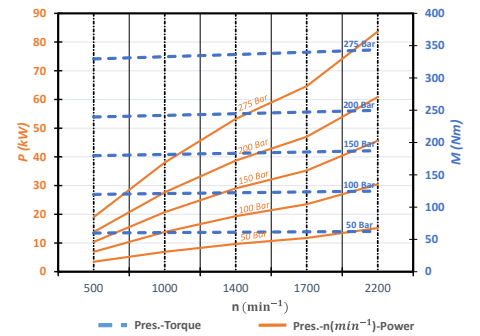


Hydraulic Pump Symbol

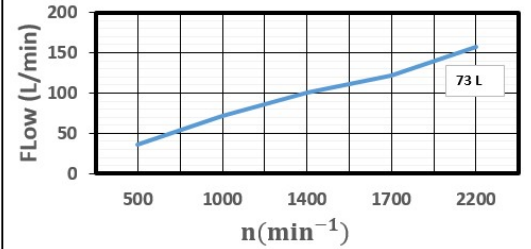


DİYAGRAMLAR / DIAGRAMS

Power-Pressure Graphic



Flow-rpm Graphic



Torque-Pressure Graphic

