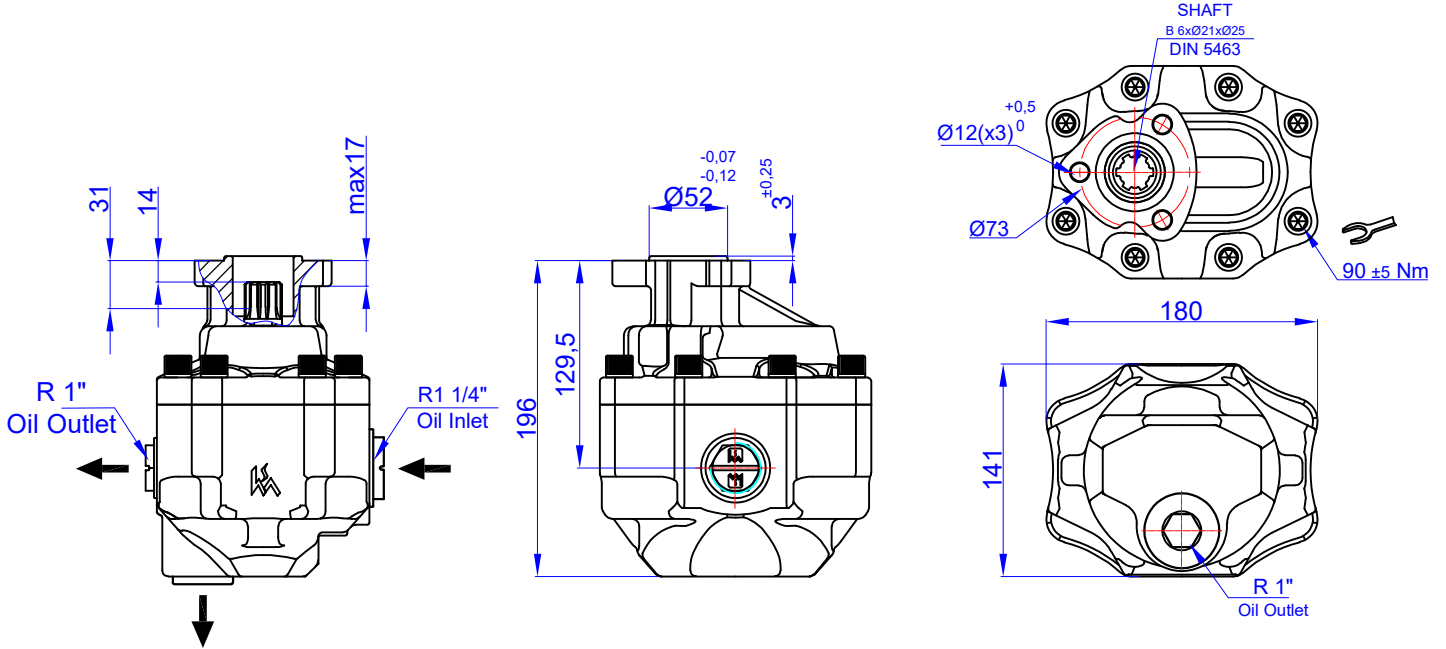


87 cc GEAR PUMP-UNI
DP 40-87 DİŞLİ POMPA SAĞ / SOL

Product Code / Ürün Kodu : PDTD400870011
Ref. No:0001 PDTD400870012

CW
CCW



TEKNİK BİLGİLER / TECHNICAL DATA

Specifications

Displacement	87	cm ³ /rev
Max. Peak Pressure (P3)	250	bar
Max. Intermittent Pressure (P2) (for tipping applications)	240	bar
Max. Continuous Pressure (P1)	220	bar
Max. Speed at Intermittent Press.	2000	min ⁻¹
Min. Speed at Intermittent Press.	300	min ⁻¹
Max. Speed at Continuous Press.	1700	min ⁻¹
Oil Temperature Range	-40 ~ 80	°C
Inlet Pressure Range (suction side)	0,7 ~ 3	bar
Recommended Oil Viscosity Range	12 ~ 100	mm ² /s (cSt)
Max. Starting Viscosity	750	mm ² /s (cSt)
Filtration :		
-Working Pressure < 200 bar	25	µm
-Working Pressure > 200 bar	10	µm
Connection :		
Min. Suction Hose Bore Diameter	--	inch
Weight	18	kg
Rust prevent oil applied shaft area	protect 12 moths	

Power and Torque

Pressure (Bar)	50	100	150	200	250
Torque (Nm)	77	154	231	308	385

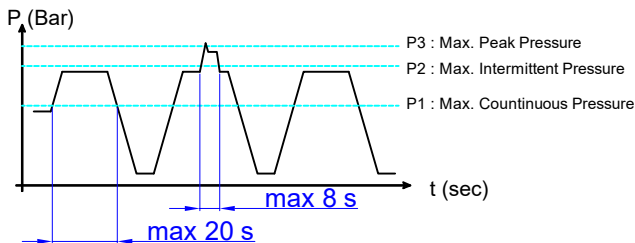
Power (kW)

rpm / Bar	50	100	150	200	250
500	4	8	12	16	21
1000	8	16	25	33	41
1500	12	25	37	49	62
1700	14	28	42	56	70
2000	16	33	49	66	82

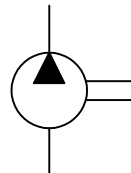
rpm (n/min) Flow (L/min)

rpm (n/min)	Flow (L/min)
500	43
1000	85
1500	128
1700	145
2000	171

Pressure Definition

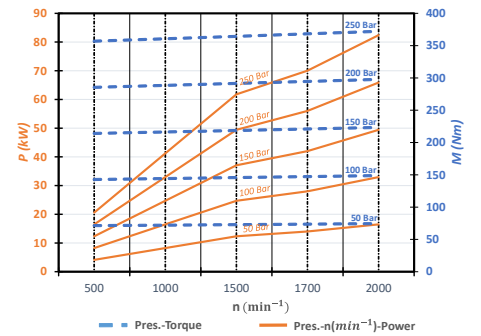


Hydraulic Pump Symbol

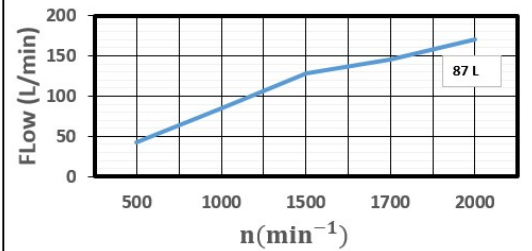


DİYAGRAMLAR / DIAGRAMS

Power-Pressure Graphic



Flow-rpm Graphic



Torque-Pressure Graphic

