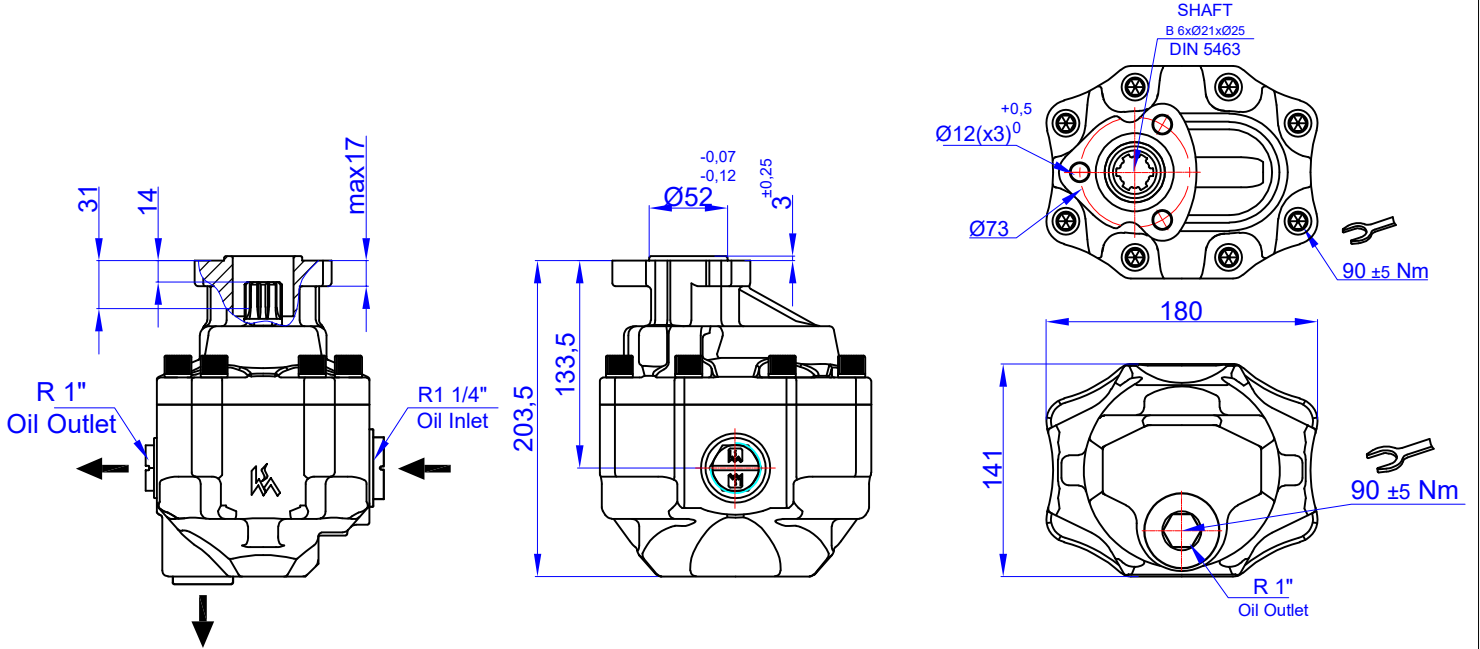


109 cc GEAR PUMP-UNI
DP 40-109 DİŞLİ POMPA SAĞ / SOL

Product Code / Ürün Kodu : PDTD401090011
Ref. No:0001 PDTD401090012

CW
CCW



TEKNİK BİLGİLER / TECHNICAL DATA

| Specifications | | |
|---|------------------|--------------------------|
| Displacement | 109 | cm ³ /rev |
| Max. Peak Pressure (P3) | 240 | bar |
| Max. Intermittent Pressure (P2) (for tipping applications) | 230 | bar |
| Max. Continuous Pressure (P1) | 210 | bar |
| Max. Speed at Intermittent Press. | 2000 | min ⁻¹ |
| Min. Speed at Intermittent Press. | 300 | min ⁻¹ |
| Max. Speed at Continuous Press. | 1700 | min ⁻¹ |
| Oil Temperature Range | -40 ~ 80 | °C |
| Inlet Pressure Range (suction side) | 0,7 ~ 3 | bar |
| Recommended Oil Viscosity Range | 12 ~ 100 | mm ² /s (cSt) |
| Max. Starting Viscosity | 750 | mm ² /s (cSt) |
| Filtration : | | |
| -Working Pressure < 200 bar | 25 | µm |
| -Working Pressure > 200 bar | 10 | µm |
| Connection : | | |
| Min. Suction Hose Bore Diameter | -- | inch |
| Weight | 19,5 | kg |
| Rust prevent oil applied shaft area | protect 12 moths | |

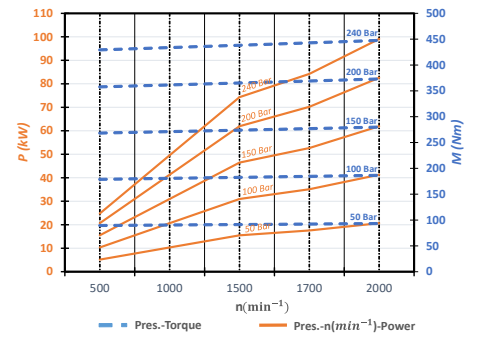
| Power and Torque | | | | | |
|------------------|----|-----|-----|-----|-----|
| Pressure (Bar) | 50 | 100 | 150 | 200 | 240 |
| Torque (Nm) | 96 | 193 | 289 | 386 | 463 |

| Power (kW) | | | | | |
|------------|----|-----|-----|-----|-----|
| rpm / Bar | 50 | 100 | 150 | 200 | 240 |
| 500 | 5 | 10 | 15 | 21 | 25 |
| 1000 | 10 | 21 | 31 | 41 | 50 |
| 1500 | 15 | 31 | 46 | 62 | 74 |
| 1700 | 18 | 35 | 53 | 70 | 84 |
| 2000 | 21 | 41 | 62 | 83 | 99 |

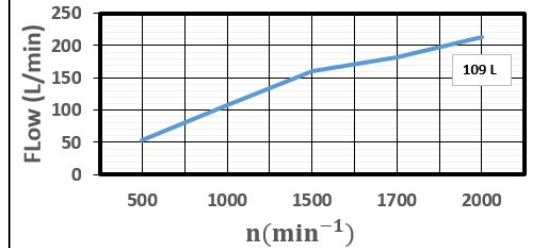
| rpm (n/min) | Flow (L/min) |
|-------------|--------------|
| 500 | 53 |
| 1000 | 107 |
| 1500 | 160 |
| 1700 | 182 |
| 2000 | 214 |

DİYAGRAMLAR / DIAGRAMS

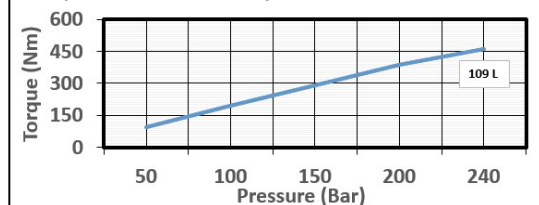
Power-Pressure Graphic



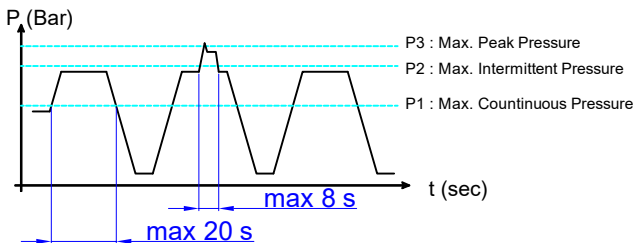
Flow-rpm Graphic



Torque-Pressure Graphic



Pressure Definition



Hydraulic Pump Symbol

