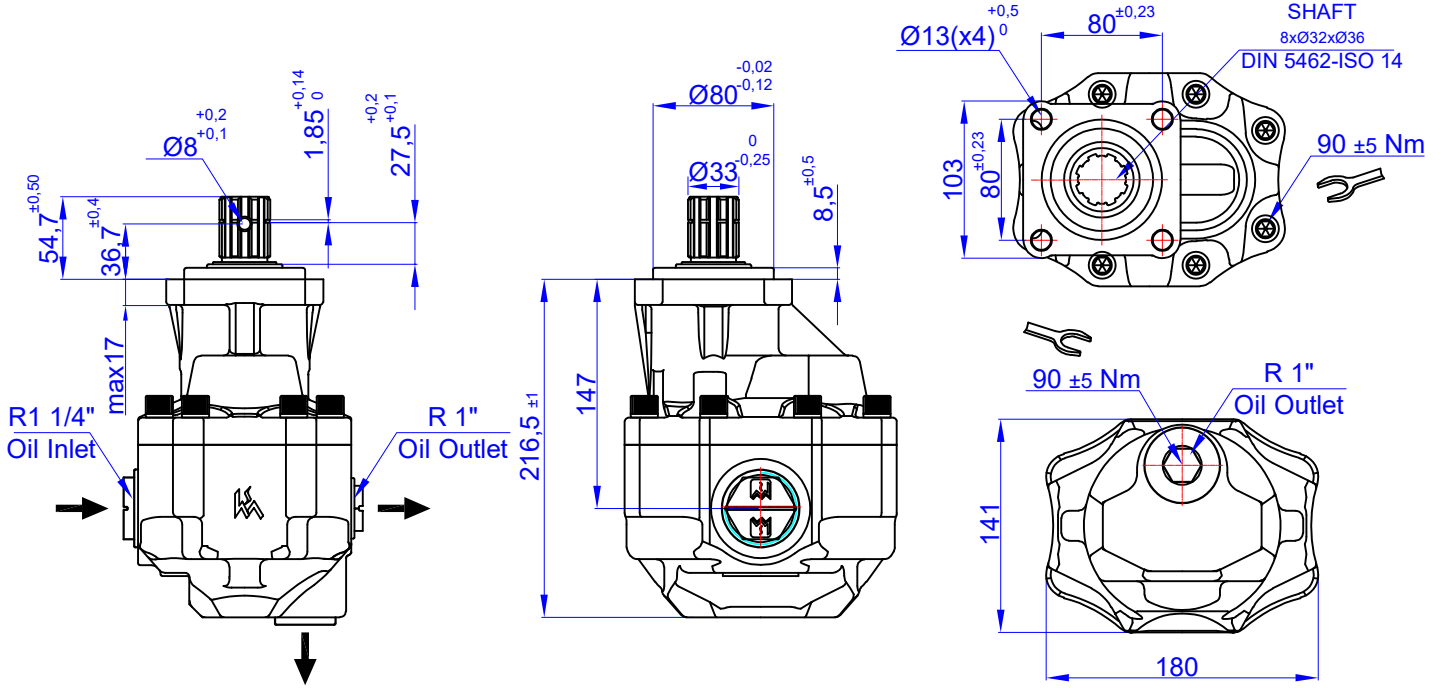


109 cc GEAR PUMP-ISO
DPA 40-109 DIŞLI POMPA SAĞ / SOL

Product Code / Ürün Kodu : PDTD401090131
Ref. No:0003 PDTD401090132

CW
CCW



TEKNİK BİLGİLER / TECHNICAL DATA

Specifications		
Displacement	109	cm ³ /rev
Max. Peak Pressure (P3)	240	bar
Max. Intermittent Pressure (P2) (for tipping applications)	230	bar
Max. Continuous Pressure (P1)	210	bar
Max. Speed at Intermittent Press.	2000	min ⁻¹
Min. Speed at Intermittent Press.	300	min ⁻¹
Max. Speed at Continuous Press.	1700	min ⁻¹
Oil Temperature Range	-40 ~ 80	°C
Inlet Pressure Range (suction side)	0,7 ~ 3	bar
Recommended Oil Viscosity Range	12 ~ 100	mm ² /s (cSt)
Max. Starting Viscosity	750	mm ² /s (cSt)
Filtration :		
-Working Pressure < 200 bar	25	µm
-Working Pressure > 200 bar	10	µm
Connection :		
Min. Suction Hose Bore Diameter	--	inch
Weight	21,5	kg
Rust prevent oil applied shaft area	protect 12 moths	

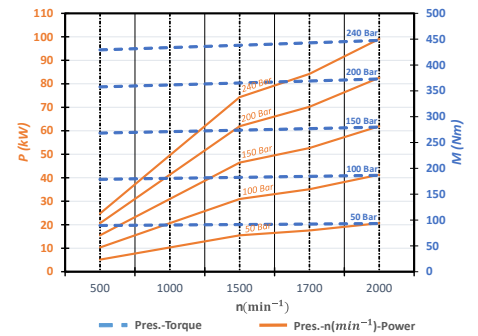
Power and Torque					
Pressure (Bar)	50	100	150	200	240
Torque (Nm)	96	193	289	386	463

Power (kW)					
rpm / Bar	50	100	150	200	240
500	5	10	15	21	25
1000	10	21	31	41	50
1500	15	31	46	62	74
1700	18	35	53	70	84
2000	21	41	62	83	99

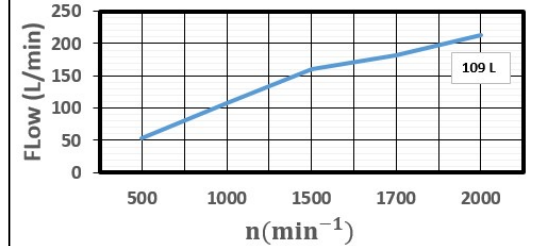
rpm (n/min)	Flow (L/min)
500	53
1000	107
1500	160
1700	182
2000	214

DIYAGRAMLAR / DIAGRAMS

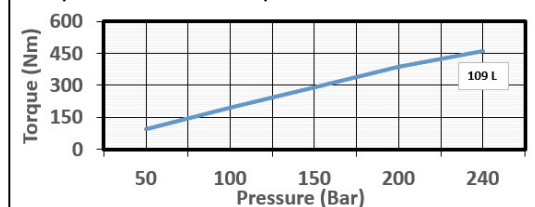
Power-Pressure Graphic



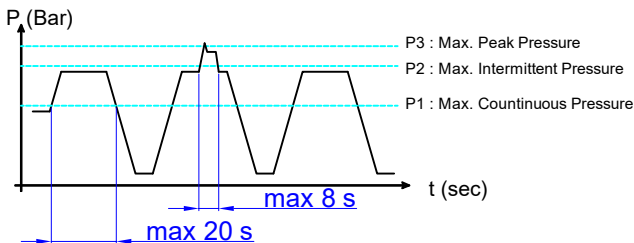
Flow-rpm Graphic



Torque-Pressure Graphic



Pressure Definition



Hydraulic Pump Symbol

