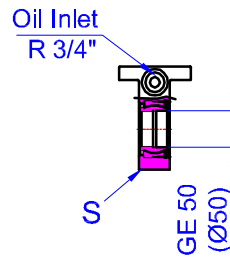
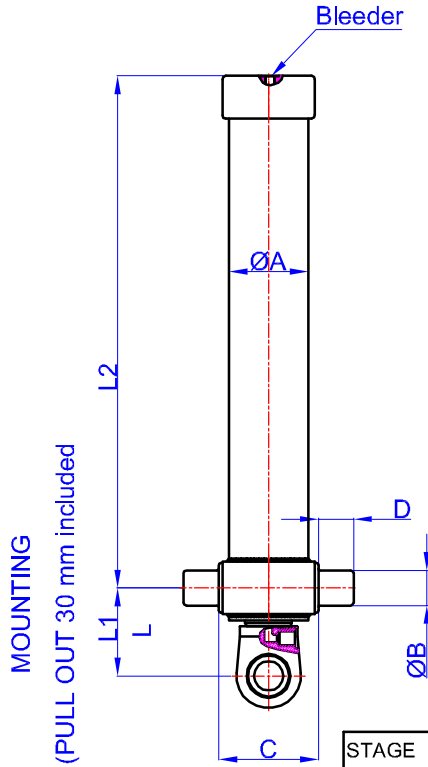


GHS 116 x 3 x 3195 A

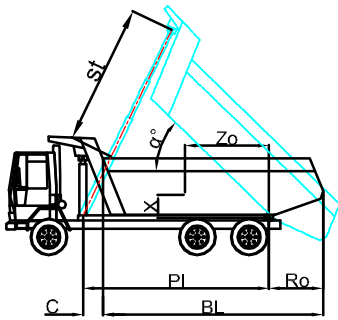
Drawing No :43116331951

Reference No :01-001



A	:	136	mm
B	:	60	mm
C	:	170	mm
D	:	60	mm
L	:	150	mm
*L1	:	180	mm
L2	:	1233	mm
S	:	42	mm

\* Inc 30 mm pull out :  
 tolerance +20 -0  
 Hard Chromed all stages  
 Working Pressure : 170 Bar  
 Max. Working Pressure : 190  
 Bar  
 All Cylinder Materials are St  
 52 Cold Drawn Tubes



STAGE	1	2	3	4	5	6	7	8	TOTAL
EFFECTIVE DIAMETER (mm)	Ø116	Ø98	Ø80						
STROKE	1065	1065	1065						3195
OIL DISPLACEMENT (L)	12,5	8,5	6						32
THRUST AT 170 BAR (TONS)	18	12	8						

BL (body length)	BL	4000		3900		3800	
Ro (rear overhang)	Ro	400	600	400	600	400	600
α°	α°	45	51	47	53	48	54
Ycog (vert. pos. centre of gravity)	Ycog	400	27	21	24	22	25
PI (Pivot length)	PI	700	33	25	29	25	30
α° = st x 60 / PI		1000	42	29	35	30	38
st		3000	3060	3055	3021	3091	3060

Weight : 106 Kg

Drawing No :43116331951-01-001