



GALİPOĞLU®  
**HIDROMAS**

Phone : 90.332 239 08 52 (pbx)

Fax : 90.332 239 08 51

Mail : hidromas@hidromas.com

Address : Büyükkayacık Mah. Konya O.S.B. 3 Nolu Sk No:1/A 42250

SELÇUKLU / KONYA

TÜRKİYE

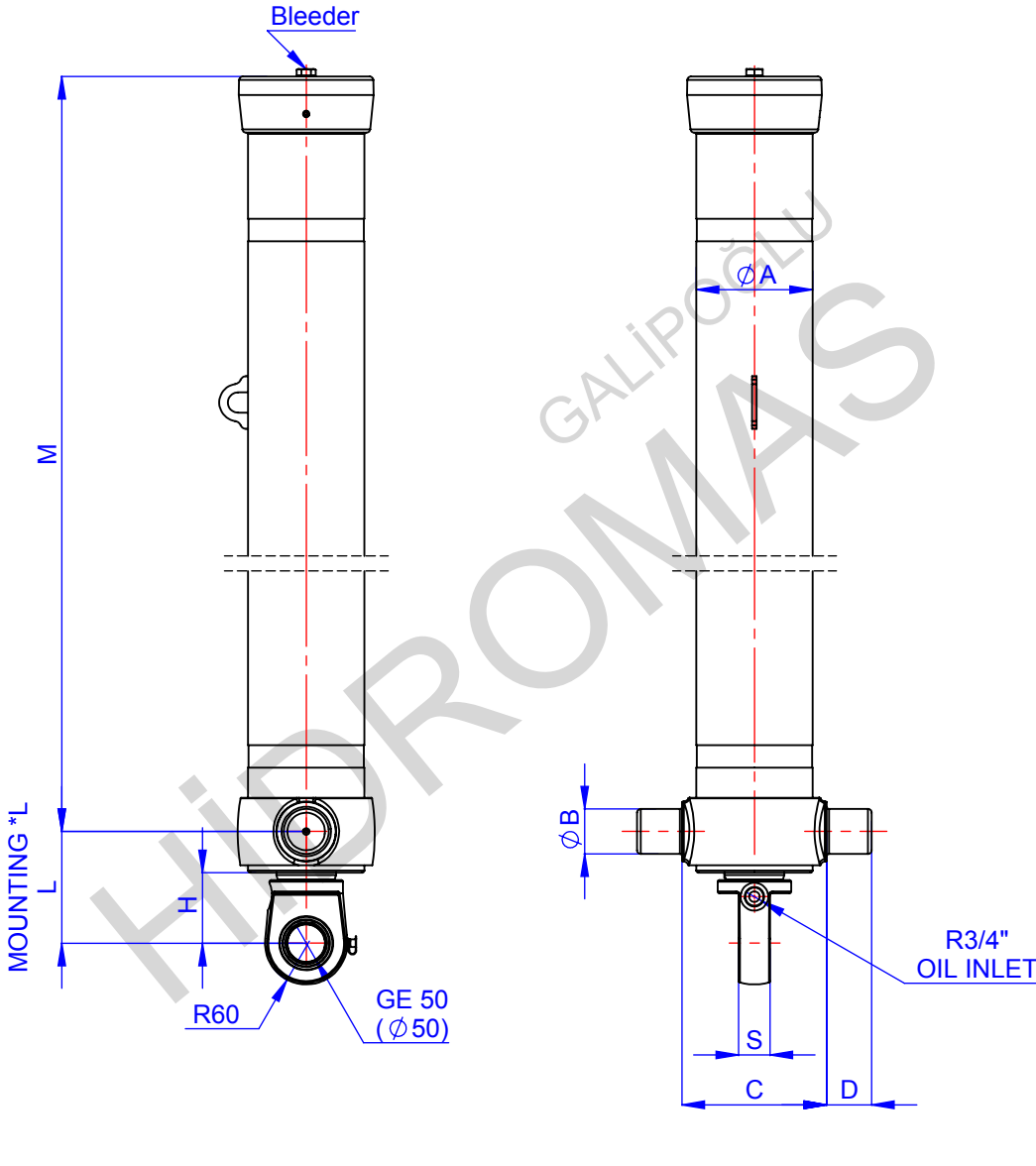
GHS 135-4-4100 A TEL.SİL.

Product Code :

43135441001

Reference No :

01-001



|    |        |
|----|--------|
| A  | : 155  |
| B  | : 60   |
| C  | : 193  |
| D  | : 60   |
| E  | :      |
| F  | :      |
| G  | :      |
| H  | : 94   |
| I  | :      |
| J  | :      |
| K  | :      |
| L  | : 149  |
| *L | : 179  |
| M  | : 1195 |
| N  | :      |
| O  | :      |
| P  | :      |
| R  | :      |
| S  | : 42   |
| S1 | :      |
| T  | :      |
| U  | :      |
| V  | :      |
| W  | :      |
| Y  | :      |
| Z  | :      |

|                          |  |  |  |  |  |      |      |      |      |  |  |
|--------------------------|--|--|--|--|--|------|------|------|------|--|--|
| EFFECTIVE DIAMETER (mm)  |  |  |  |  |  | 135  | 116  | 98   | 80   |  |  |
| STROKE (mm)              |  |  |  |  |  | 1025 | 1025 | 1025 | 1025 |  |  |
| THRUST AT 170 BAR (TONS) |  |  |  |  |  | 24.1 | 17.8 | 12.7 | 8.5  |  |  |

All sizes were given as mm

**SPECIFICATIONS**

- Stroke : 4100
- \*Inc 30 mm pull out : Tolerance +20 ; 0
- Working pressure : 170 Bar
- Max. working pressure : 190 Bar
- Working Temperature : -40 °C / +80 °C
- Total Volume : 46.5 L
- Weight Cylinder : 132.3 kg
- Hard cromed all stages
- All cylinder materials are st 52 cold down tubes
- Standard cylinder is painted with RAL 1036

**FORMULATION**

- St : (Stroke)
- BL : (Body Length)
- Ro : (Rear Overhang)
- PI : (Pivot Length)
- C : (Bracket Length)

$$\alpha^\circ = \frac{St \times 60}{PI}$$

