



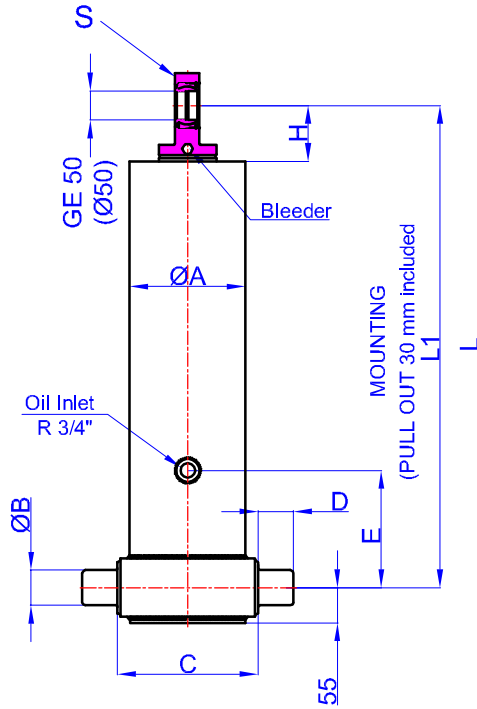
GALİPOĞLU
HIDROMAS

Phone : +90 332 239 08 52 (pbx)
 Fax : +90 332 239 08 51
 Mail : hidromas@hidromas.com
 Address : Büyükkayacık Mah. Konya O.S.B. 3 Nolu Sk No:1/A 42250
 SELÇUKLU / KONYA
 TÜRKİYE

GHS 135 x 3 x 3330 C

Product Code :43135333303

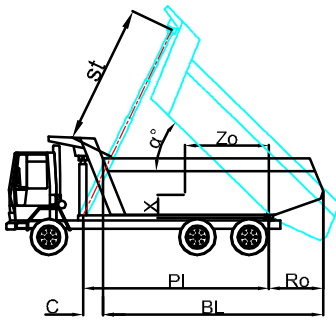
Reference No : 01-001



A	:	156	mm
B	:	60	mm
C	:	193	mm
D	:	60	mm
E	:	350	mm
H	:	95	mm
L	:	1402	mm
*L1	:	1432	mm
S	:	42	mm

* Inc 30 mm pull out :
 tolerance +20 -0
 Hard Chromed all stages
 Working Pressure : 170 Bar
 Max. Working Pressure : 190
 Bar
 All Cylinder Materials are St
 52 Cold Drawn Tubes

STAGE	1	2	3	4	5	6	7	8	TOTAL
EFFECTIVE DIAMETER (mm)	Ø135	Ø116	Ø98						
STROKE	1110	1110	1110						3330
OIL DISPLACEMENT (L)	17	12,5	9						46
THRUST AT 170 BAR (TONS)	24	18	12						



BL (body length)
 Ro (rear overhang)
 Ycog (vert. pos.
 centre of gravity)
 PI (Pivot length)
 $\alpha^\circ = \text{st} \times 60$
 PI

	200	4200	600	200	4100	600	200	4000	600
BL	200	4200	600	200	4100	600	200	4000	600
Ro	45	47	50	46	49	52	47	50	53
Ycog	34	37	42	33	38	43	35	39	45
400	38	43	51	38	44	53	39	46	56
700	43	51	58	44	52	60	46	53	61
1000	3675	3681	3675	3680	3680	3740	3681	3750	3726
st									

Weight : 131 Kg

Drawing No :43135333203-02-001