



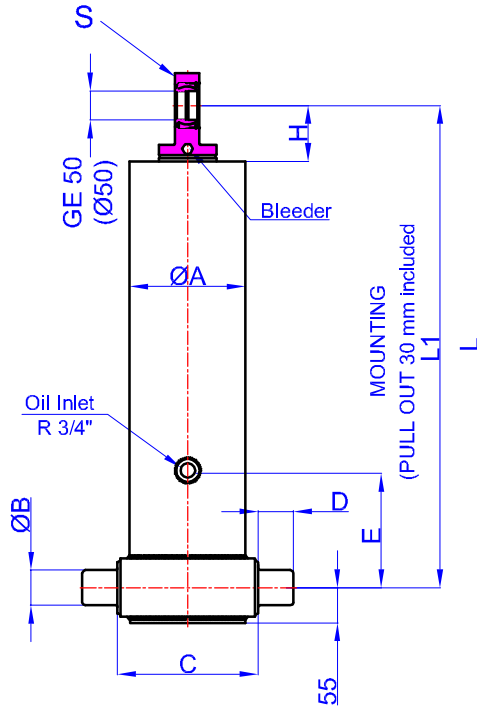
GALİPOĞLU
HIDROMAS

Phone : +90 332 239 08 52 (pbx)
 Fax : +90 332 239 08 51
 Mail : hidromas@hidromas.com
 Address : Büyükkayacık Mah. Konya O.S.B. 3 Nolu Sk No:1/A 42250
 SELÇUKLU / KONYA
 TÜRKİYE

GHS 135 x 4 x 3885 C

Product Code : 43135438853

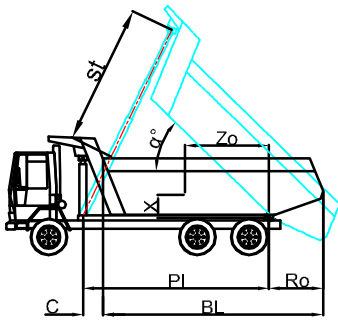
Reference No : 01-001



- A : 156 mm
- B : 60 mm
- C : 193 mm
- D : 60 mm
- E : 350 mm
- H : 95 mm
- L : 1256 mm
- *L1 : 1286 mm
- S : 42 mm

* Inc 30 mm pull out :
 tolerance +20 -0
 Hard Chromed all stages
 Working Pressure : 170 Bar
 Max. Working Pressure : 190 Bar
 All Cylinder Materials are St
 52 Cold Drawn Tubes

STAGE	1	2	3	4	5	6	7	8	TOTAL
EFFECTIVE DIAMETER (mm)	Ø135	Ø116	Ø98	Ø80					
STROKE	971	971	971	971					3885
OIL DISPLACEMENT (L)	15	11	8	5,5					44
THRUST AT 170 BAR (TONS)	24	18	12	8					



BL (body length)
 Ro (rear overhang)
 Ycog (vert. pos. centre of gravity)
 PI (Pivot length)
 $\alpha^\circ = \frac{st \times 60}{PI}$

BL	6600	600	6500	600	6400	600
Ro	200	400	200	400	200	400
α°	45	47	46	48	47	48
Ycog	600	21	21	23	21	23
	900	23	25	25	23	26
	1200	25	27	28	26	28
st	3900	3833	3825	3838	3833	3833
		3920	3920	3916	3920	3910

Weight : 128 Kg

Drawing No :43135438853-18-001