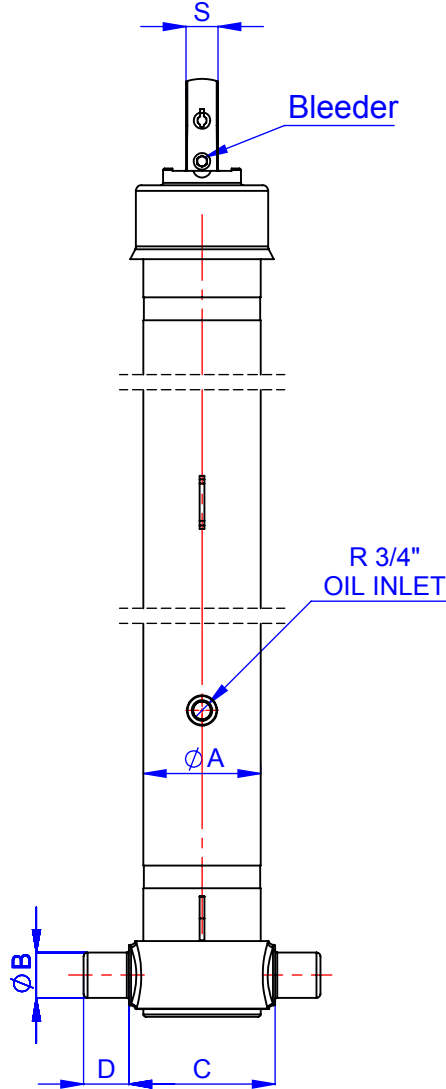
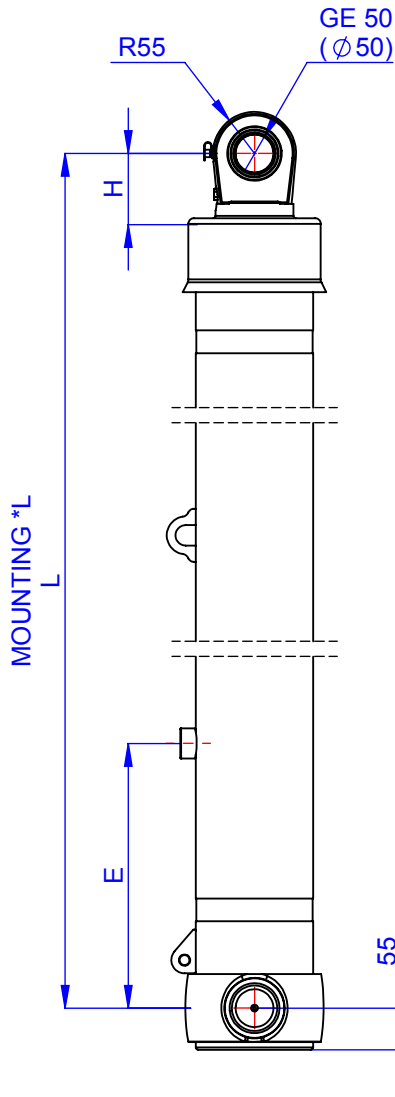


GHS 135-4-4100 C TEL.SİL.

Product Code : 43135441003

Reference No : 01-001



A	: 155
B	: 60
C	: 193
D	: 60
E	: 350
F	:
G	:
H	: 94
I	:
J	:
K	:
L	: 1312
*L	: 1342
M	:
N	:
O	:
P	:
R	:
S	: 42
S1	:
T	:
U	:
V	:
W	:
Y	:
Z	:

EFFECTIVE DIAMETER (mm)						135	116	98	80		
STROKE (mm)						1025	1025	1025	1025		
THRUST AT 170 BAR (TONS)						24.1	17.8	12.7	8.5		

All sizes were given as mm

SPECIFICATIONS

- Stroke : 4100
- *Inc 30 mm pull out : Tolerance +20 ; 0
- Working pressure : 170 Bar
- Max. working pressure : 190 Bar
- Working Temperature : -23 °C / +80 °C
- Total Volume : 46.5 L
- Weight Cylinder : 131.0 kg
- Hard cromed all stages
- All cylinder materials are st 52 cold down tubes
- Standard cylinder is painted with RAL 1036

FORMULATION

- St : (Stroke)
- BL : (Body Length)
- Ro : (Rear Overhang)
- PI : (Pivot Length)
- C : (Bracket Length)

$$\alpha^\circ = \frac{St \times 60}{PI}$$

