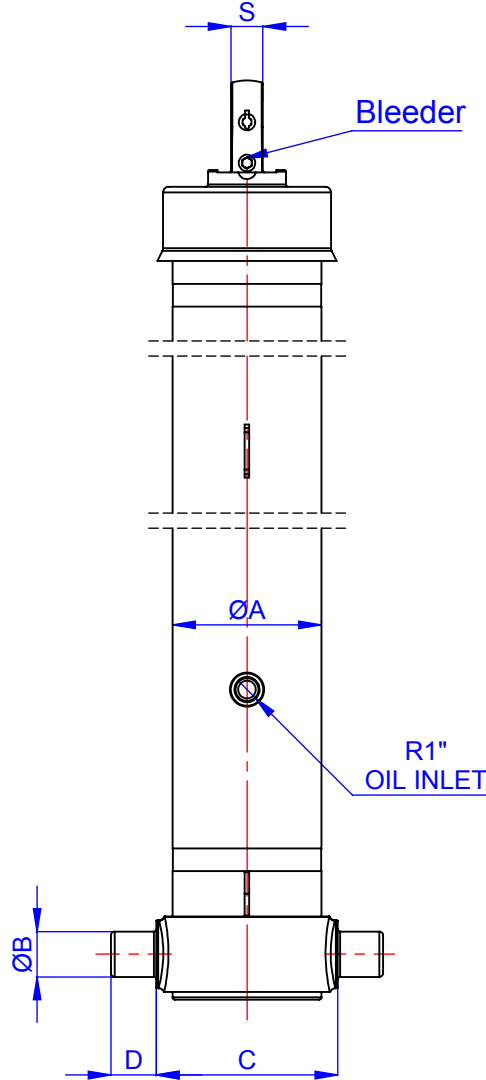
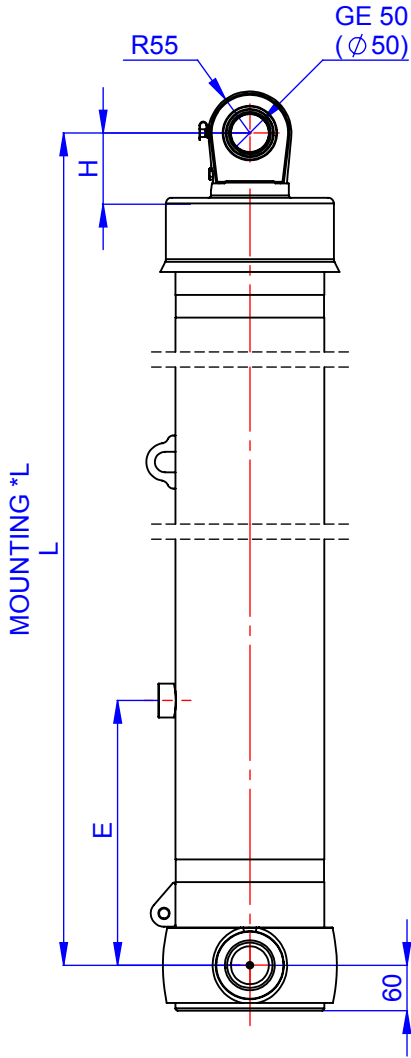


GHS 175-6-6660 C TEL.SİL.

Product Code : 43175666603

Reference No : 01-001



A	: 197
B	: 60
C	: 240
D	: 60
E	: 350
F	:
G	:
H	: 94
I	:
J	:
K	:
L	: 1397
*L	: 1427
M	:
N	:
O	:
P	:
R	:
S	: 42
S1	:
T	:
U	:
V	:
W	:
Y	:
Z	:

EFFECTIVE DIAMETER (mm)				175	155	135	116	98	80		
STROKE (mm)				1110	1110	1110	1110	1110	1110		
THRUST AT 170 BAR (TONS)				40.5	31.7	24.1	17.8	12.7	8.5		

All sizes were given as mm

SPECIFICATIONS

- Stroke : 6660
- *Inc 30 mm pull out : Tolerance +20 ; 0
- Working pressure : 170 Bar
- Max. working pressure : 190 Bar
- Working Temperature : -23 °C / +80 °C
- Total Volume : 101.8 L
- Weight Cylinder : 237.4 kg
- Hard cromed all stages
- All cylinder materials are st 52 cold down tubes
- Standard cylinder is painted with RAL 1036

FORMULATION

- St : (Stroke)
- BL : (Body Length)
- Ro : (Rear Overhang)
- PI : (Pivot Length)
- C : (Bracket Length)

$$\alpha^\circ = \frac{St \times 60}{PI}$$

