



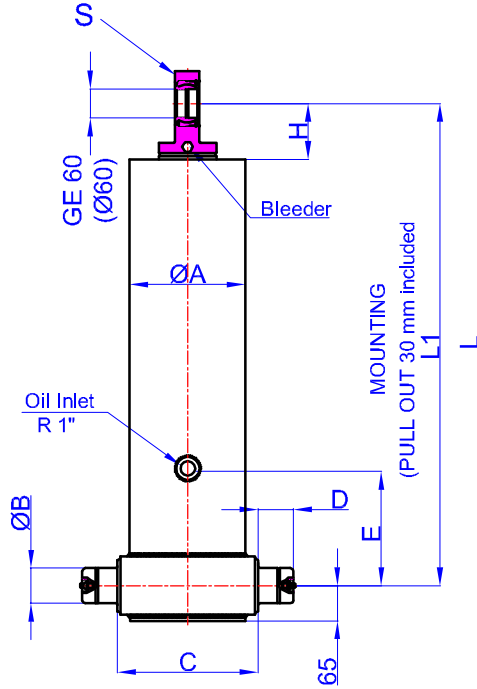
GALİPOĞLU
HIDROMAS

Phone : +90 332 239 08 52 (pbx)
 Fax : +90 332 239 08 51
 Mail : hidromas@hidromas.com
 Address : Büyükkayacık Mah. Konya O.S.B. 3 Nolu Sk No:1/A 42250
 SELÇUKLU / KONYA
 TÜRKİYE

GHS 197 x 5 x 6650 C

Stock Code : 43197566503

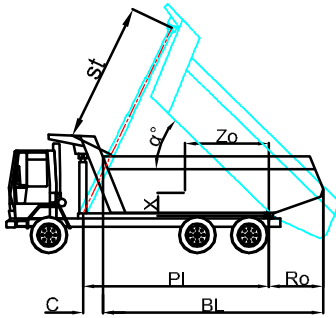
Reference No : 01-001



A	:	220	mm
B	:	65	mm
C	:	265	mm
D	:	60	mm
E	:	350	mm
H	:	95	mm
L	:	1645	mm
*L1	:	1675	mm
S	:	52	mm

* Inc 30 mm pull out :
 tolerance +20 -0
 Hard Chromed all stages
 Working Pressure : 170 Bar
 Max. Working Pressure : 190
 Bar
 All Cylinder Materials are St
 52 Cold Drawn Tubes

STAGE	1	2	3	4	5	6	7	8	TOTAL
EFFECTIVE DIAMETER (mm)	Ø197	Ø175	Ø154,5	Ø135	Ø116				
STROKE	1330	1330	1330	1330	1330				6650
OIL DISPLACEMENT (L)	42,5	34	26,5	20,5	15				150
THRUST AT 170 BAR (TONS)	51	40	31	24	18				



BL (body length)
 Ro (rear overhang)
 Ycog (vert. pos.
 centre of gravity)
 PI (Pivot lengt)
 $\alpha^\circ = st \times 60$
 PI

	8500			8300			8100		
BL	200	500	800	200	500	800	200	500	800
Ro	45	47	48	46	48	50	47	49	51
Ycog	600	49	53	58	50	54	59	51	56
	900	53	57	63	54	59	64	55	61
	1200	57	62	70	58	64	73	60	67
st	6375	6423	6320	6363	6400	6416	6345	6370	6375

Weight : 332 Kg

Drawing No :43197566503-02-001