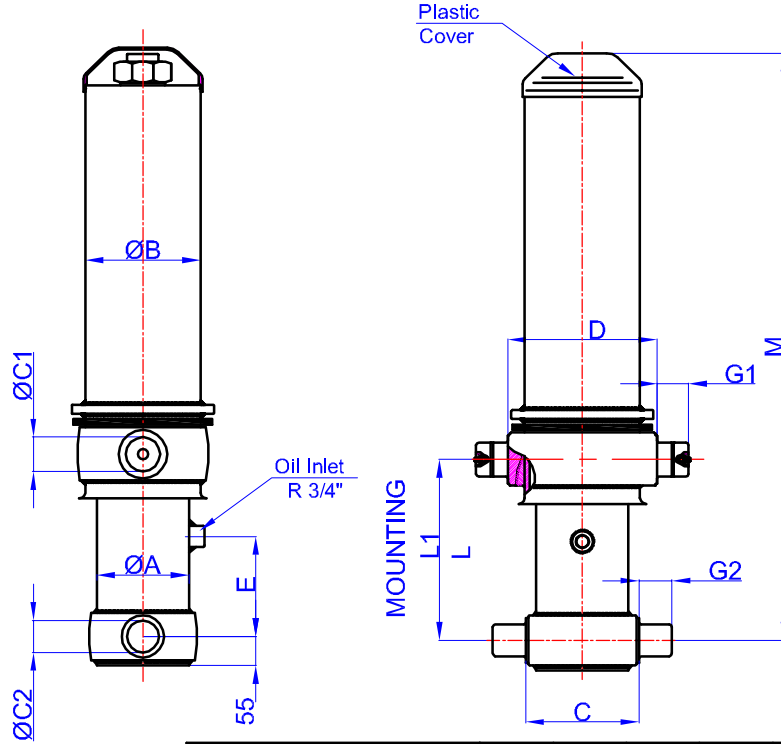


GHS 135 x 3 x 3720 H

Stock Code : 43135337206

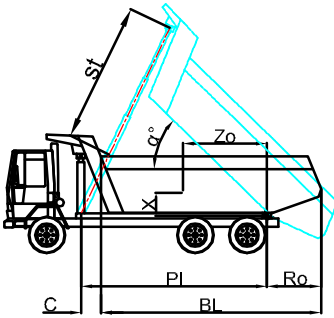
Reference No : 01-001



- A : 156 mm
- B : 219 mm
- C : 193 mm
- C1 : 65 mm
- C2 : 60 mm
- D : 283 mm
- E : 190 mm
- G1 : 60 mm
- G2 : 60 mm
- L : 343 mm
- *L1 : 373 mm
- M : 1585 mm

* Inc 30 mm pull out :
 tolerance +20 -0
 Hard Chromed all stages
 Working Pressure : 170 Bar
 Max. Working Pressure : 190 Bar

STAGE	1	2	3	4	5	6	7	8	TOTAL
EFFECTIVE DIAMETER (mm)	Ø135	Ø116	Ø98						
STROKE	1240	1240	1240						3720
OIL DISPLACEMENT (L)	19	14	10,5						52
THRUST AT 170 BAR (TONS)	24	18	12						



BL (body length)
 Ro (rear overhang)
 Ycog (vert. pos. centre of gravity)
 PI(Pivot lengt)
 $\alpha^\circ = \frac{st \times 60}{PI}$

	BL	4700	600	200	4600	600	200	4500	600
Ro	200	400	600	200	400	600	200	400	600
α°	45	47	49	46	48	50	47	49	52
Ycog	600	36	39	44	36	40	46	37	41
	900	39	44	52	40	46	54	41	48
	1200	44	51	57	46	52	58	48	53
st	3525	3525	3511	3526	3520	3500	3525	3511	3553

Weight : -- Kg

Drawing No :43135337206-01-001