



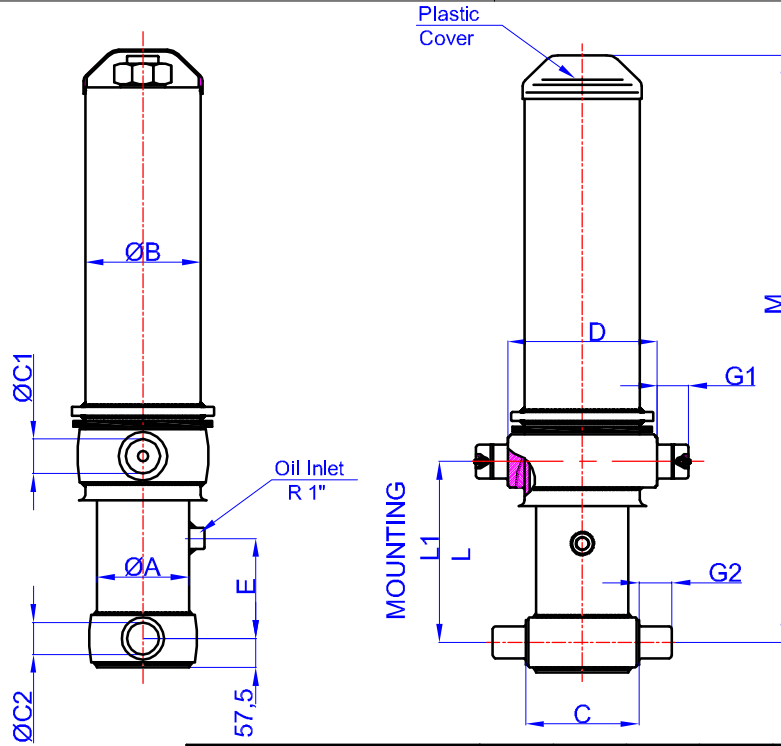
GALİPOĞLU
HIDROMAS

Phone : +90 332 239 08 52 (pbx)
 Fax : +90 332 239 08 51
 Mail : hidromas@hidromas.com
 Address : Büyükkayacık Mah. Konya O.S.B. 3 Nolu Sk No:1/A 42250
 SELÇUKLU / KONYA
 TÜRKİYE

GHS 155 x 4 x 5500 H

Stock Code : 43155455006

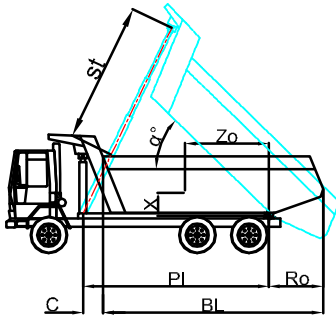
Reference No : 01-001



- A : 175 mm
- B : 242 mm
- C : 215 mm
- C1 : 65 mm
- C2 : 60 mm
- D : 340 mm
- E : 190 mm
- G1 : 60 mm
- G2 : 60 mm
- L : 343 mm
- *L1 : 373 mm
- M : 1740 mm

* Inc 30 mm pull out :
 tolerance +20 -0
 Hard Chromed all stages
 Working Pressure : 170 Bar
 Max. Working Pressure : 190 Bar

STAGE	1	2	3	4	5	6	7	8	TOTAL
EFFECTIVE DIAMETER (mm)	Ø154,5	Ø135	Ø116	Ø98					
STROKE	1375	1375	1375	1375					5500
OIL DISPLACEMENT (L)	27,5	21	16	11,5					85
THRUST AT 170 BAR (TONS)	31	24	18	12					



BL (body length)
 Ro (rear overhang)
 Ycog (vert. pos. centre of gravity)
 PI (Pivot length)
 $\alpha^\circ = \text{st} \times 60 / \text{PI}$

BL	7000			6800			6600		
Ro	200	500	800	200	500	800	200	500	800
α°	45	47	49	46	48	51	48	50	53
Ycog									
600	34	37	41	35	38	43	36	39	45
900	36	40	46	37	42	49	39	44	51
1200	39	45	51	41	47	56	42	49	61
st	5250	5248	5226	5213	5200	5270	5280	5250	5300

Weight : -- Kg

Drawing No :43155455006-01-001